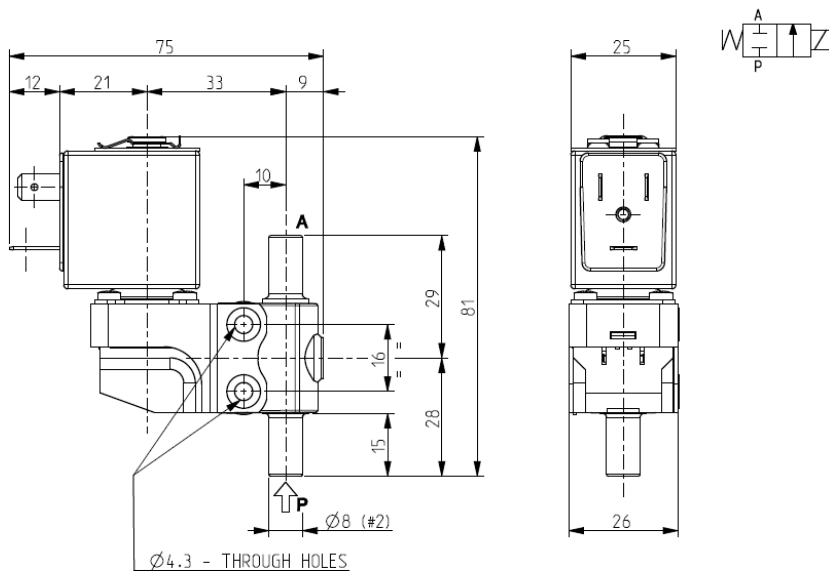




SOLENOID VALVE - DRY
2/2 – NC (Normally closed)
Direct acting - Total isolation
Barbed port

D118



► **GENERAL FEATURES**

Direct acting, total isolation solenoid valve: the actuator is totally isolated from the fluid so that the wetted parts are just the body and the lever-seal.

Possibility of disassembling for inspection.

Core duly coated by PTFE (polytetrafluoroethylene) based self lubricating material.

Suitable to shut off liquid and gaseous fluids (verify the compatibility of fluid with materials in contact).

► **TECHNICAL FEATURES**

Maximum allowable pressure (PS)	12 bar
Opening time	~ 25ms
Closing time	~ 25ms
Fluid temperature	-10°C +100°C
Max viscosity	5°E (~37 cStokes or mm ² /s)

► **MATERIALS IN CONTACT WITH FLUID**

Body	PEI (Polyetherimide)
Sealing	VMQ or FPM or EPDM

► **COIL**

Continuous duty	ED 100%	
Encapsulation material	PET (polyethylene terephthalate) fiberglass reinforced	
Coil insulation class	F (155°C)	
Ambient temperature	-10°C +60°C	
Electric connections	DIN 46340 - 3 poles connector	
Protection degree	IP 65 (EN 60529) with plug connector	
Voltages	DC	12-24V (+10% -5%)
	AC	24V/50-60Hz - 110V/50-60Hz (120V/60Hz) 230V/50-60Hz (+10% -15%) (Other voltages and frequencies on request)
On request	UL approved version (see notes)	

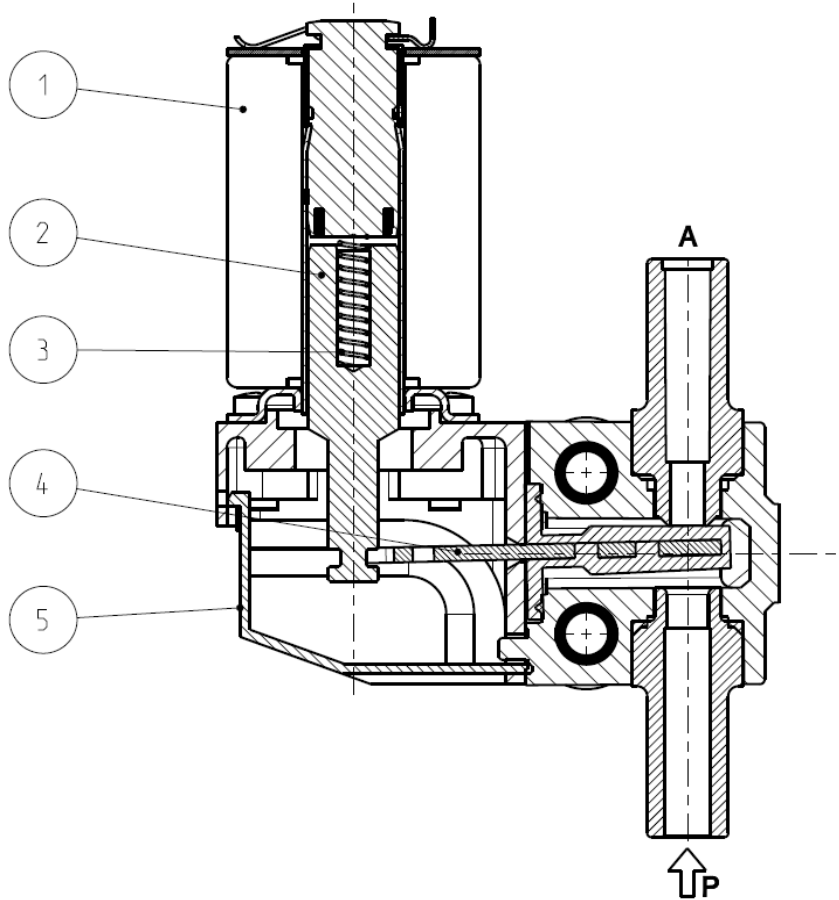
Port size	Orifice size (mm)	Differential pressure (bar)				Kv (m ³ /h)	Series and type		Power absorption			Sealings	Notes	Weight (kg)			
		Δp min	Δp max				Valve	Coil	AC (VA)		DC (W)						
			Gases		Liquids				Inrush	Holding							
			AC	DC	AC										DC		
Barbed port	2,7	0	10		10	0,23	D118D03	Z610A	16	10	6	EPDM	1	0,150			
			5	5	5		5					D118S03			VMQ		
			10		10							D118V03			FPM		
	3,4		3	6			6					0,30			D118D03	EPDM	
				3			3								3	D118S03	VMQ
				6			6									D118V03	FPM

► **NOTES**

- Sealings : FPM = Fluoro-carbon elastomer VMQ = Silicone elastomer EPDM = Ethylene-propylene elastomer
- On request UL approved coil (Z614A - class "H" - ambient temperature -10°C +60°C)
- 1 - Models available on request only: ask for minimum quantity.

D118

► SPARE PARTS



Kit description	Kit P.N.	Consisting of:
Core kit	G3049401	Core pos.2 Core return spring pos.3
Lever seal	D118D03 2815206R D118S03 2815202R D118V03 2815203R	Lever seal pos.4
Cover kit	G2883901	N. 10 cover pos. 5
Coil	Z610A	Coil pos. 1

► MOUNTING

- Solenoid valve can be mounted in any position.

THE VALIDITY OF REPORTED DATA IS REFERRED TO THE DATE OF ISSUE. POSSIBLE UPDATES ARE AVAILABLE ON REQUEST.