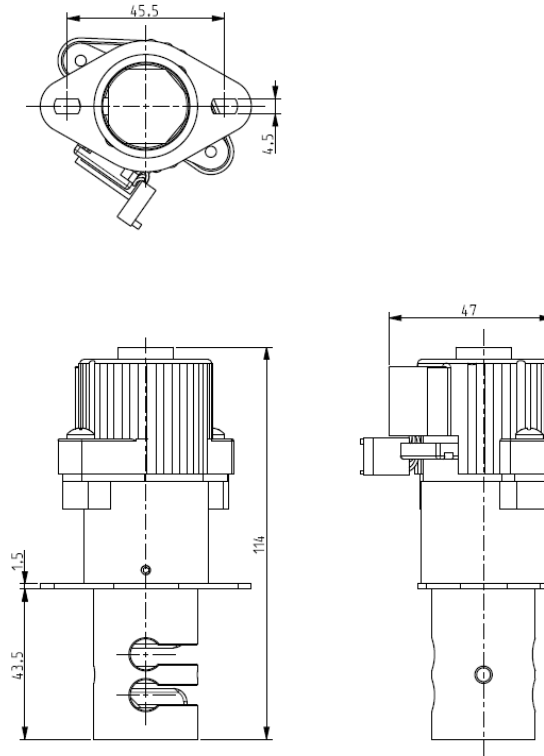




# STEPPER MOTOR PINCH VALVE 3- WAY

**S370XA01X0900XX**



### ► GENERAL FEATURES

Stepper motor pinch valve, suitable to shut off media without producing neither turbulent flows, nor dead spaces. Particularly suitable for most of the analytical, medical and food applications.

If equipped with fitting control electronics, the valve can perform ON-OFF functions, as well as analog input and potentiometer control.

The system allows a bi-directional through flow and a high flow rate. The valve is suitable for elastic tubings with hardness up to 90 Shore A.

**The tubing (not included in our supply) is the only material in contact with the fluid.**

### ► MATERIALS (OF THE PINCHING DEVICE)

|                     |                                   |
|---------------------|-----------------------------------|
| Body                | Anodized aluminium                |
| Pinching device     | POM (reinforced acetal copolymer) |
| Internal components | Brass and stainless steel         |

### ► ELECTRIC FEATURES

|                     |                           |
|---------------------|---------------------------|
| Power supply        | [12÷24] V                 |
| Continuous duty     | ED 100%                   |
| Minimum Step        | 0.033mm/step              |
| Insulation class    | B (130°C)                 |
| Drive methods       | 1-2 phase                 |
| Drive circuit       | BIPOLAR CHOPPER           |
| Drive voltage       | 13V                       |
| DC resistance       | 7.7 Ω                     |
| Current / phase     | 500 mA                    |
| Ambient temperature | -10°C +60°C               |
| Electric connection | Molex pitch 2.54mm 4 pins |
| Protection degree   | IP 40 (DIN40050)          |

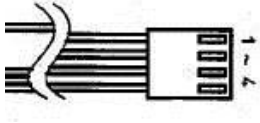
| TUBINGS<br>MAX O.D.<br>(mm) | Pinching strength<br>(N) | Speed<br>for closing valve<br>(mm/s) | Series and type        | Power absorption (W) | Notes | Weight<br>(kg) |
|-----------------------------|--------------------------|--------------------------------------|------------------------|----------------------|-------|----------------|
|                             |                          |                                      | Valve                  | In operation         |       |                |
| 9,5                         | up to 80N                | 3,33                                 | <b>S370XA01X0900XX</b> | 9                    | -     | 0.22           |

### ► NOTE

- Some data, e.g. actuating time and power absorption, are directly depending on the electronic control and can vary accordingly
- For the use of a tubing with outside diameter smaller than 6mm, it is necessary to install the tubing guide sleeve (drawing K29501)

# S370XA01X0900XX

## STEPPER MOTOR WIRING



| PIN NO. | WIRE COLOR | MOTOR |
|---------|------------|-------|
| 1       | YELLOW     | B3    |
| 2       | ORANGE     | B1    |
| 3       | BROWN      | A3    |
| 4       | BLACK      | A1    |

### WIRE COLOR CODE

| HEAD SPINDLE IN      |      |   |   |   |
|----------------------|------|---|---|---|
| CONNECTOR<br>PIN NO. | STEP |   |   |   |
|                      | 1    | 2 | 3 | 4 |
| 1                    | +    | + | - | - |
| 2                    | -    | - | + | + |
| 3                    | -    | + | + | - |
| 4                    | +    | - | - | + |

| HEAD SPINDLE OUT     |      |   |   |   |
|----------------------|------|---|---|---|
| CONNECTOR<br>PIN NO. | STEP |   |   |   |
|                      | 1    | 2 | 3 | 4 |
| 1                    | -    | - | + | + |
| 2                    | +    | + | - | - |
| 3                    | -    | + | + | - |
| 4                    | +    | - | - | + |