

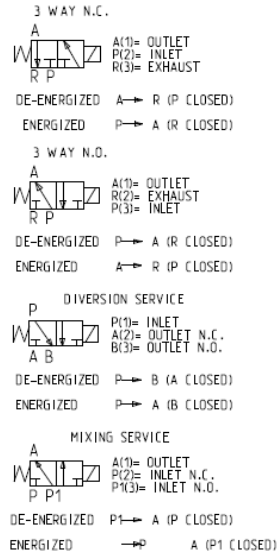
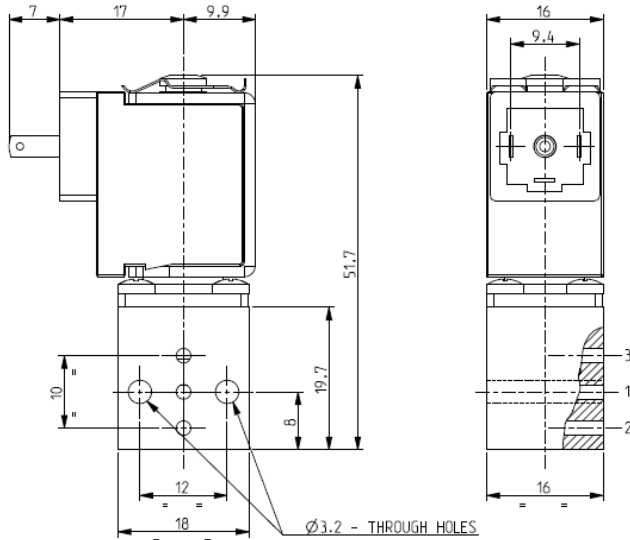


MICRO SOLENOID VALVE

3/2 - NC - NO - US (Universal service)

V367

Direct acting Sub-base mounting



► GENERAL FEATURES

Direct acting micro solenoid valve suitable for mounting on a sub-base or directly on the equipment.
Minimum overall dimensions, quick response time and high number of cycles.
Seal gasket for coupling supplied with the valve.
Suitable to shut off liquid and gaseous fluids (verify the compatibility of fluid with materials in contact).

► TECHNICAL FEATURES

Maximum allowable pressure (PS) 16 bar
Opening time from ~ 5ms to ~ 10ms
Closing time from ~ 5ms to ~ 10ms
Fluid temperature -10°C +90°C
Max viscosity 3°E (22 cStokes or mm²/s)

► MATERIALS IN CONTACT WITH FLUID

Body Brass
Sealing NBR
Internal components Brass, PEI (Polyetherimide) and stainless steel
Seat Brass
Core tube Brass

► COIL

Continuous duty ED 100%
Encapsulation material PA (Polyamide) fiberglass reinforced
Insulation class F (155°C)
Ambient temperature -10°C +60°C
Electric connections DIN 46340 with micro plug connector
Protection degree IP 65 (EN 60529) with micro plug connector
Voltages DC 12-24V (+10% -5%)
(Other voltages on request)

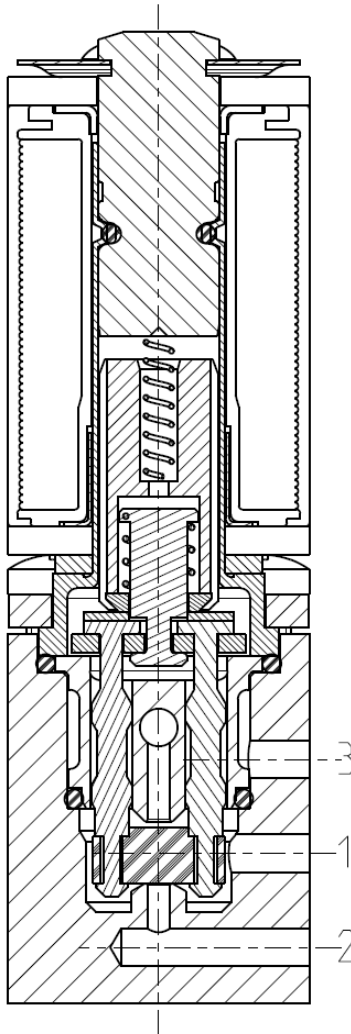
| Port size | Orifice size (mm) | Δp min | Differential pressure (bar) | | | | Kv (m ³ /h) | Series and type | | Power absorption | | | Sealings | Function Notes | Weight (kg) |
|-----------|-------------------|--------|-----------------------------|---|---------|------|------------------------|-----------------|------|------------------|---------|--------|----------|----------------|-------------|
| | | | Δp max | | | | | Valve | Coil | AC (VA) | | DC (W) | | | |
| | | | Gases | | Liquids | | | | | Inrush | Holding | | | | |
| AC | DC | AC | DC | | | | | | | | | | | | |
| - | 1,2 | 0 | - | 6 | 6 | 0,04 | V367B02C | ZE30C | - | - | 2,5 | NBR | NC | 0,090 | |
| | | | | 8 | 8 | | V367B01C | ZE30A | | | 4 | | | | |
| | | | | 6 | 6 | | V367B01A | ZE30C | | | 2,5 | | | | NO |
| | | | | 8 | 8 | | V367B01G | ZE30A | | | 4 | | | | |
| 6 | 6 | US - 1 | | | | | | | | | | | | | |

► NOTES

- These micro-solenoid valves are not suitable for stagnating media subject to vaporization which deposit solid, calcareous, incrusting residues or similar.
- Sealings: NBR = Nitrile-butylene elastomer.
1 - Model available on request only: ask for minimum quantity.

V367

► SECTIONAL VIEW



► INSTALLATION

- Solenoid valve can be mounted in any position; vertical with coil upwards preferred.

THE VALIDITY OF REPORTED DATA IS REFERRED TO THE DATE OF ISSUE. POSSIBLE UPDATES ARE AVAILABLE ON REQUEST.