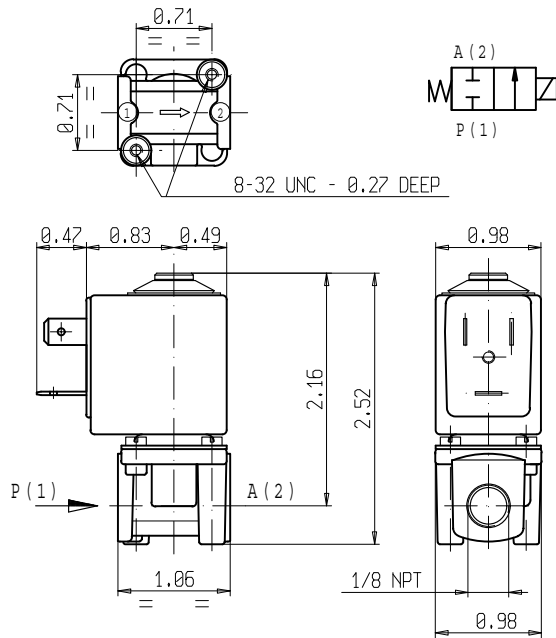




SOLENOID VALVE
2/2 - NC (Normally closed)
Direct acting
1/8 NPT

L177B06-NPT



NPT		a	b	c	d	e	f	m	n	p
1/8	in	1.06	2.16	2.52	0.71	0.98	0.98	0.83	0.49	0.47
	mm	27	55	64	18	25	25	21	12,5	12

► **GENERAL FEATURES**

Direct acting solenoid valve.
 Suitable to shut off liquid and gaseous fluids (verify the compatibility of fluid with materials in contact).

► **TECHNICAL FEATURES**

Maximum allowable pressure (PS) 435 psi
 Opening time ~10 ÷ ~20ms
 Closing time ~10 ÷ ~20ms
 Fluid temperature +14°F +194°F
 Max viscosity ~3.98 x 10⁻⁴ft²/sec (~37 cStokes or mm²/s, 5°E)

► **MATERIALS IN CONTACT WITH FLUID**

Body Brass with chemical nickel coating (Ni-P)
 Sealing NBR
 Internal components Stainless steel
 Seat Brass
 Guide assembly Stainless steel
 Shading ring Copper

► **COIL**

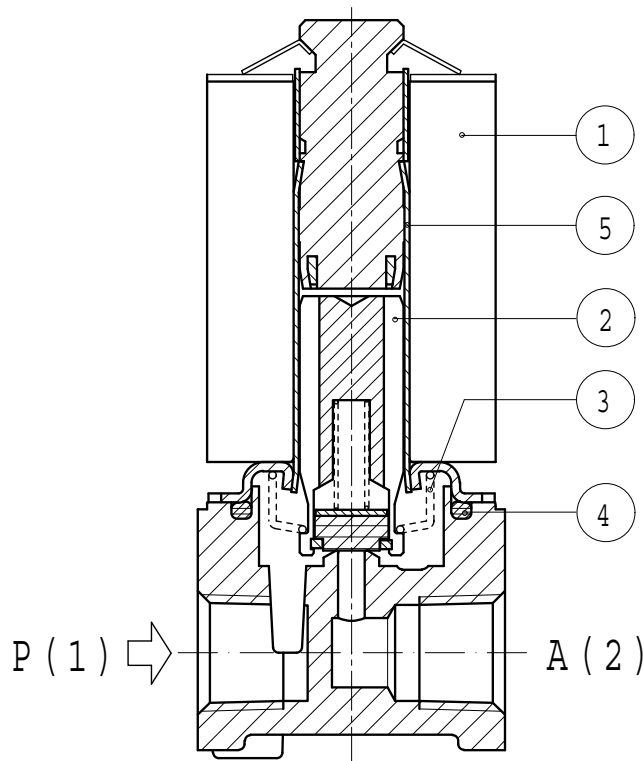
Continuous duty ED 100%
 Encapsulation material PET (polyethylene terephthalate) fiberglass reinforced
 Coil insulation class F (311°F) on request class H (356°F) - UL
 Ambient temperature +14°F +140°F
 Electric connections DIN 46340 - 3 poles connectors
 Protection degree IP 65 (EN 60529) with plug connector
 Voltages DC 12-24V (+10% -5%)
 AC 24V-110V(120V/60Hz)-230V/50-60Hz(+10% -15%)
 (Other voltages and frequencies on request).

Pipe size NPT (ins)	Orifice size (ins)	Differential pressure (PSI)				Cv (GPM)	Series and type		Power absorption			Sealings	Notes	Weight (lbs)	
		Δp min	Δp max				Valve	Coil	AC (VA)		DC (W)				
			Gases		Liquids				Inrush	Holding					
			AC	DC	AC										DC
1/8	1/8	0	100	20	90	20	0.29	L177B06	Z610A	16	10	6	NBR	1	0,370

► **NOTES**

- Sealings : NBR = Nitrile-butylene elastomer
 1 - Coil: SEV-ASE approval as per file 04.0833.

► SPARE PARTS



Kit description

Core kit

Kit P.N.

G2878601

Consisting of:

Core pos. 2
OR guide assembly pos. 4

Core return spring kit

G2884401

N.10 core return spring pos. 3

Guide pipe assembly

2593201R

Guide pipe assembly pos. 5

Coil

Z610A

Coil pos. 1

► MOUNTING

Solenoid valve can be mounted in any position; vertical with coil upwards preferred.