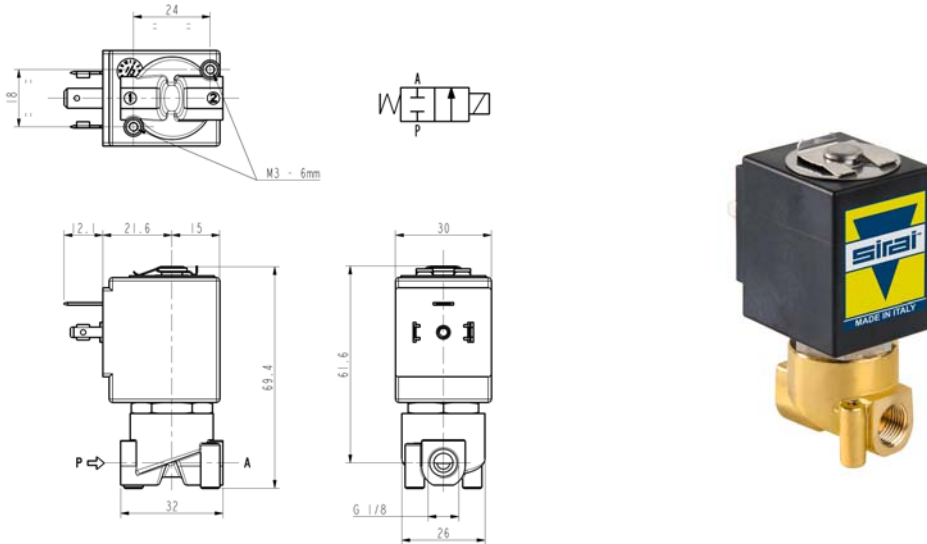




**SOLENOID VALVE**  
**2/2- NC (Normally closed)**  
**Direct acting**  
**G 1/8**

L120



► **GENERAL FEATURES**

Direct acting solenoid valve, small body size.  
 Suitable to shut off liquid and gaseous fluids (verify the compatibility of fluid with material in contact).

► **TECHNICAL FEATURES**

Maximum allowable pressure (PS) 40 bar  
 Opening time ~ 20ms  
 Closing time ~ 20ms  
 Fluid temperature  
 -10°C +170°C (RUBY)  
 0°C +130°C (FPM)  
 Max viscosity 5°E (~37 cStokes or mm<sup>2</sup>/s)

► **APPROVALS**

UL (Class F) approval – for UL c.l.H: ZA34  
 IMQ CSV approval, see ZA10 data sheet for further details  
 Compliant with MD 174/2004 and Reg. CE 1935/2004

► **MATERIALS IN CONTACT WITH FLUID**

Body Brass  
 Sealing RUBY or FPM  
 Internal components Stainless steel  
 Seat Brass or stainless steel  
 Core tube Stainless steel  
 Shading coil Copper

► **COIL**

Continuous duty ED 100%  
 Encapsulation material PPS (Polyphenilsulfure) fiberglass reinforced  
 Insulation class F (155°C) on request class H (180°C)  
 Ambient temperature -10°C +50°C  
 Electric connection DIN 46340 - 3 poles plug-connectors (EN175301-803)  
 Protection degree IP67 (EN 60529) with plug-connector  
 Voltages DC 12-24V (+10% -5%)  
 AC 24V/50Hz - 110V/50Hz (120V/60Hz) - 230V/50Hz (+10% -15%)  
 (Other voltages and frequencies on request)



Port size ISO 228	Orifice size (mm)	Differential pressure (bar)				Kv (m <sup>3</sup> /h)	Series and type		Power absorption			Sealings	Notes	Weight (kg)
		Δp min	Δp max		Valve		Coil	AC (VA)		DC (W)				
			Gases	Liquids				Inrush	Holding					
G 1/8	1,6	0	AC	DC	AC	DC	L120C01	23	14	9	RUBY	1 - 2 - 3 4 - 5 - 6	0,260	
	2,3		30	20	20	10								0,15
	1,6		30	30	30	30	0,09				L120V02			
	2,3		20	16	20	16	0,15							

► **NOTES**

- Sealings: RUBY=Synthetic corundum. FPM=Fluoro-carbon elastomer (complying with FDA standards)
- IMQ CSV approval, see ZA10 datasheet for further details
- UL approved coil (E153691)
- 1 - The use of rigid sealings (RUBY) with gaseous fluids implies a slight leakage, generally limited with in 2 scc/min at 1 bar pressure.
- 2 - Solenoid valve with stainless steel seat, suitable for overheated water and steam.
- 3 - Only for use with steam, consider following values: max pressure 8 bar (max temperature of fluid 170°).
- 4 - Gasket between core tube and body in FPM.
- 5 - On request special coil ZA10X, class "F", with UL homologated windings – see overleaf.
- 6 - Model available on request only: ask for minimum quantity.

# L120

## ► COIL FOR SPECIAL VOLTAGES ZA10X

Approval UL (class F) see voltages

Continuous duty ED 100%

Encapsulation material PPS (Polyphenilsulfure) fiberglass reinforced

Insulation class F (155°C)

Ambient temperature -10°C +50°C

Electric connection DIN 46340- 3 poles plug-connectors (EN175301-803)

Protection degree IP 67 (EN 60529) with plug-connector

Voltages AC 24V/50-60Hz (UL) ▪ 100V/50-60Hz ▪ 115-120V/60Hz ▪ 200V/50-60Hz ▪ 220-230V/50Hz - 208-240V/60Hz (UL) ▪ 220-240V/50Hz (UL) ▪ (+10% -15%)

Port size ISO 228	Orifice size (mm)	Differential pressure (bar)				Kv (m <sup>3</sup> /h)	Series and type		Power absorption			Sealings	Notes	Weight (kg)	
		Δp min	Δp max				Valve	Coil	AC (VA)		DC (W)				
			Gases		Liquids				Inrush	Holding					
			AC	DC	AC										DC
G 1/8	1,6	0	30	-	30	L120C01	ZA10X	23	14	-	RUBY	1 - 2 - 3 4 - 5	0,270		
	2,3		20	20	0,15										
	1,6		30	30	0,09										
	2,3		16	16	0,15										
						L120V02					FPM	-			

## ► NOTES

- Sealings: RUBY=Synthetic corundum. FPM=Fluoro-carbon elastomer (complying with FDA standards)

1 - The use of rigid sealings (RUBY) with gaseous fluids implies a slight leakage, generally limited with in 2 scc/min at 1 bar pressure.

2 - Solenoid valve with stainless steel seat, suitable for overheated water and steam.

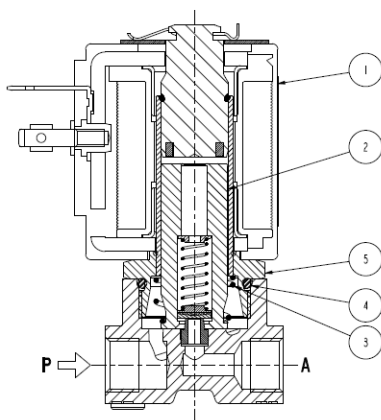
3 - Only for use with steam, consider following values: max pressure 8 bar (max temperature of fluid 170°).

4 - Gasket between core tube and body in FPM

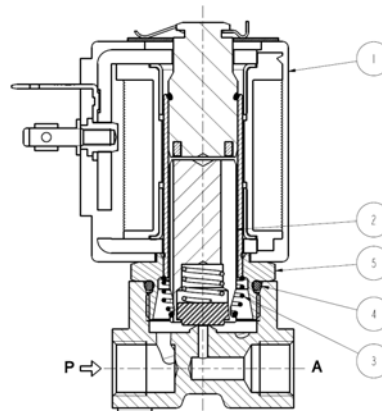
5 - Model available on request only: ask for minimum quantity.

## ► SPARE PARTS

L120 C01



L120 V02



## Kit description

Core kit

L120C01  
L120V02

## Kit P.N.

G3008801  
G3022803

## Consisting of:

Core (with core return spring) pos. 2  
OR guide assembly pos.4

Core return spring kit

L120C01  
L120V02

G3018901  
G3022401

N.10 core return spring pos.3

OR guide assembly kit

L120C01 – V02

GU2424000017

N.10 OR guide assembly pos.4

Guide assembly kit

G31486

Guide assembly pos.5  
Coil clip

Coil

ZA10A  
ZA10X

Coil pos.1

## ► INSTALLATION

- Solenoid valve can be mounted in any position; vertical with coil upwards preferred.

THE VALIDITY OF REPORTED DATA IS REFERRED TO THE DATE OF ISSUE. POSSIBLE UPDATES ARE AVAILABLE ON REQUEST.