

KYTOLA® Model V Variable Area Flow Meter is designed for reliable measuring and monitoring of liquid and gas flows.

It comes in a range of different options and offers a choice of end blocks – aluminium, stainless steel AISI 316 or polyamide.



- Sturdy construction
- Impact resistant flow tube
- Model VE in multi-tube versions
- Scales for alternative liquids and gases

ISO 9001:2008 ISO 14001:2004

FLOW METER VD, VE, VL

FEATURES

Large selection of materials

Alarm-ready

Models VD and VE with built-in flow adjustment valve and quick change flow tube

TYPICAL APPLICATIONS

Lubrication oil measurement

Sealing and cooling water measurement

Flush water applications

Gas flow measurements

OPTIONS

Low and high flow alarm

Constant flow regulator

Viton or EPDM seals

PES flow tube

Model	VDA	VDH	VDK
End blocks	Aluminium	AISI 316	Nylon
Side plates	AISI 316	AISI 316	AISI 316
Max. pressure	30 bar	30 bar	20 bar
Max. temperature	80°C (*120°C)	80°C (*120°C)	80°C
Weight	0.75 kg	2.00 kg	0.95 kg
Valve housing	Aluminium	AISI 316	AISI 316
Valve spindle	AISI 316	AISI 316	AISI 316
Flow tube	Grilamid (PA-12) (*PES)		
Connections	BSP 1/2" or NPT 1/2"		
Float	AISI 329 or AISI 329/PTFE (depending on range)		
Seals	Nitrile (*Viton®, EPDM)		
Accuracy	±5% F.S. (H ₂ O, +20°C)		

*Special construction on request

VD - - -

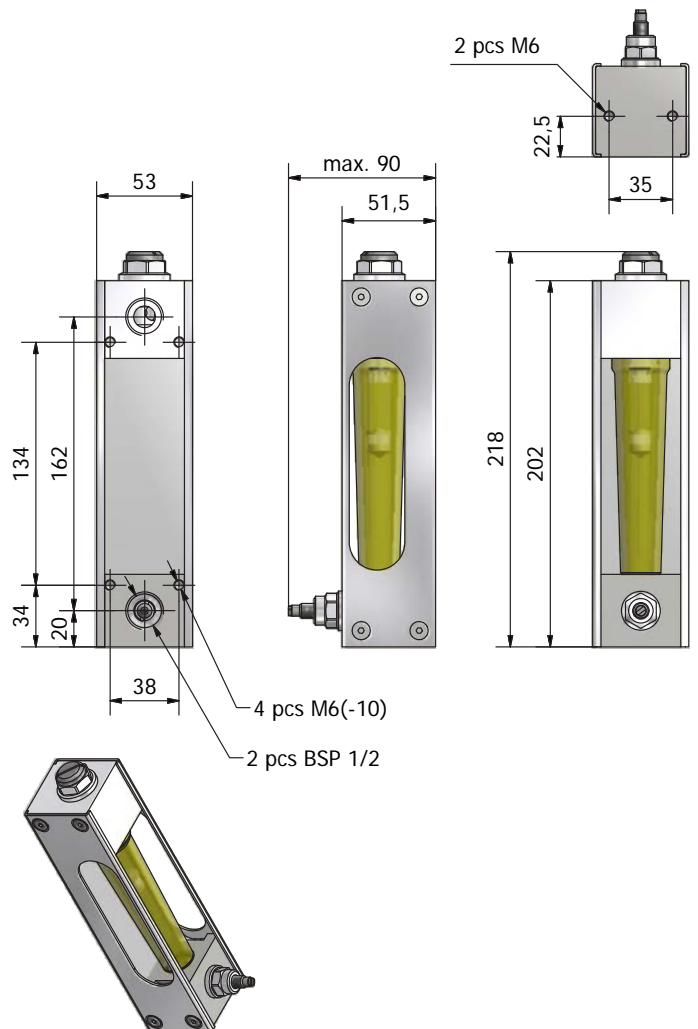
End Block Material		
Aluminium (not for H ₂ O)		A
AISI 316		H
Nylon		K

Flow Range				
H ₂ O		Air		
0.4 – 2	L/min	15 – 75	NL/min	6H
0.75 – 3	L/min	30 – 130	NL/min	3H
1.5 – 5	L/min	40 – 180	NL/min	3K
2 – 9	L/min	80 – 280	NL/min	3L
2.5 – 10	L/min	75 – 325	NL/min	3M
3 – 16	L/min	100 – 600	NL/min	4N
4 – 17	L/min	100 – 650	NL/min	4D
4 – 22	L/min	100 – 1100	NL/min	4E
7.5 – 32.5	L/min	–	–	4F

Scale		
H ₂ O (L/min) at +20°C		A
Air (NL/min) at +20°C/1.013 bar (abs)		R

Special Feature		
Alarm readiness		D
Hand knob in valve		H
BSP connections	<i>blank</i>	
NPT connections		N
Grilamid flow tube, nitrile seals	<i>blank</i>	
PES flow tube, nitrile seals		V
PES flow tube, Viton® seals		W
Grilamid flow tube, Viton® seals		X

Standard feature: leave *blank*
Special feature: choose Character



Model	VEA	VEH	VEK
End blocks	Aluminium	AISI 316	Nylon
Side plates	AISI 316	AISI 316	AISI 316
Max. pressure	30 bar	30 bar	20 bar
Max. temperature	80°C (*120°C)	80°C (*120°C)	80°C
Weight	0.75 kg	2.00 kg	0.95 kg
Valve housing	Aluminium	AISI 316	AISI 316
Valve spindle	AISI 316	AISI 316	AISI 316
Flow tube	Grilamid (PA-12) (*PES)		
Connections	BSP 1/2" or NPT 1/2"		
Float	AISI 329 or AISI 329/PTFE (depending on range)		
Seals	Nitrile (*Viton®, EPDM)		
Accuracy	±5% F.S. (H ₂ O, +20°C)		

*Special construction on request

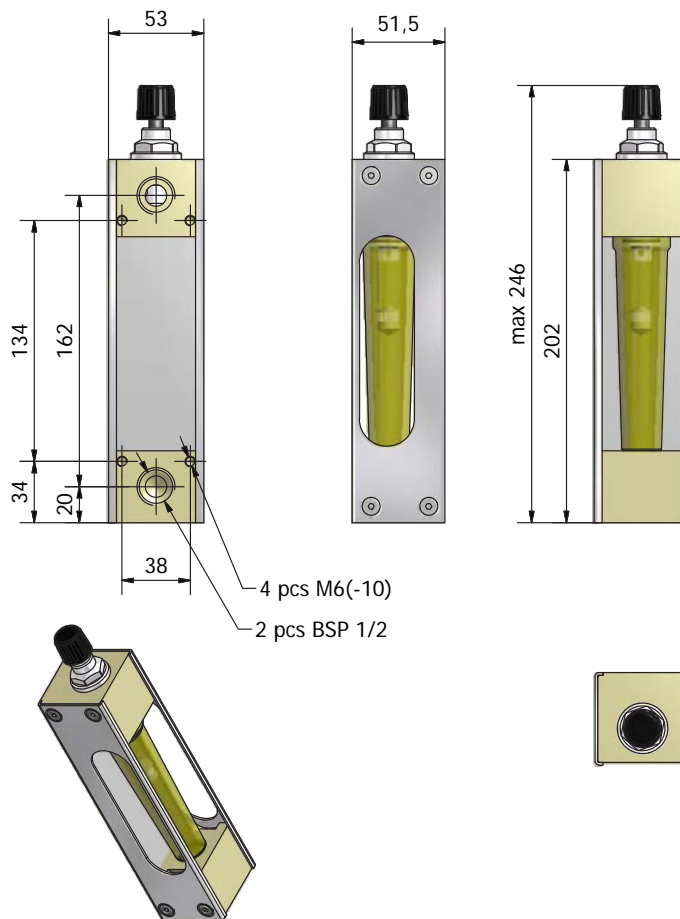
End Block Material		Character
Aluminium (not for H ₂ O)	A	
AISI 316	H	
Nylon	K	

Flow Range		Character
H ₂ O	Air	
0.4 – 2 L/min	15 – 70 NL/min	6H*
0.75 – 3 L/min	30 – 130 NL/min	3H*
1.5 – 5 L/min	40 – 170 NL/min	3K*
2 – 9 L/min	60 – 260 NL/min	3L*
2.5 – 10 L/min	75 – 300 NL/min	3M*
2 – 15 L/min	75 – 400 NL/min	4N*
4 – 17 L/min	100 – 450 NL/min	4D*
4 – 22 L/min	100 – 650 NL/min	4E*
5 – 30 L/min	150 – 700 NL/min	4F*

Scale		Character
H ₂ O (L/min) at +20°C	A	
Air (NL/min) at +20°C/1.013 bar (abs)	R	

Special Feature		Character
Alarm readiness	D	
BSP connections	blank	
NPT connections	N	
Grilamid flow tube, nitrile seals	blank	
PES flow tube, nitrile seals	V	
PES flow tube, Viton® seals	W	
Grilamid flow tube, Viton® seals	X	

Standard feature: leave *blank*
Special feature: choose **Character**



* Air flow ranges (20°C/1.013 bar abs) for calibration purposes only

Model	VLA	VLH	VLK
End blocks	Aluminium	AISI 316	Nylon
Side plates	AISI 316	AISI 316	AISI 316
Max. pressure	30 bar	30 bar	20 bar
Max. temperature	80°C (*120°C)	80°C (*120°C)	80°C
Weight	0.75 kg	2.00 kg	0.95 kg
Flow tube	Grilamid (PA-12) (*PES)		
Connections	BSP 1/2" or NPT 1/2"		
Float	AISI 329 or AISI 329/PTFE (depending on range) Note! Other possible wetted metal parts: AISI 316		
Seals	Nitrile (*Viton®, EPDM)		
Accuracy	±5% F.S. (H ₂ O, +20°C)		
*Special construction on request			

VL ■ - ■ ■ - ■**End Block Material**

Aluminium (not for H ₂ O)	A
AISI 316	H
Nylon	K

Flow Range

H ₂ O		Air		
0.4 – 2	L/min	15 – 75	NL/min	6H
0.75 – 3.25	L/min	30 – 130	NL/min	3H
1.5 – 5.5	L/min	40 – 180	NL/min	3K
2 – 9	L/min	80 – 300	NL/min	3L
3 – 10	L/min	75 – 325	NL/min	3M
2 – 16	L/min	75 – 450	NL/min	4N
3 – 17	L/min	100 – 500	NL/min	4D
4 – 22	L/min	100 – 700	NL/min	4E
5 – 30	L/min	150 – 900	NL/min	4F

Scale

H ₂ O (L/min) at +20°C	A
Air (NL/min) at +20°C/1.013 bar (abs)	R

Special Feature

Alarm readiness	D
BSP connections	<i>blank</i>
NPT connections	N
Grilamid flow tube, nitrile seals	<i>blank</i>
PES flow tube, nitrile seals	V
PES flow tube, Viton® seals	W
Grilamid flow tube, Viton® seals	X

Standard feature: leave *blank*
Special feature: choose Character

