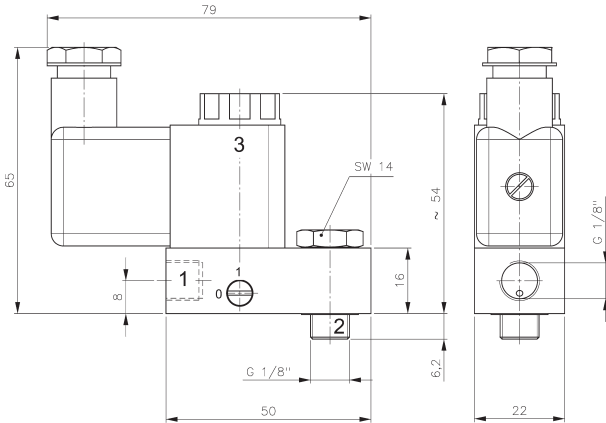


MH 311 013  
MH 311 017



**MH 311 013**



Direct acting 3/2-way solenoid valve equipped with mechanical spring return, normally closed.

Port 2 is a banjo that can be screwed directly into the actuator that is to be controlled.

Products with port 1 in NPT on request.

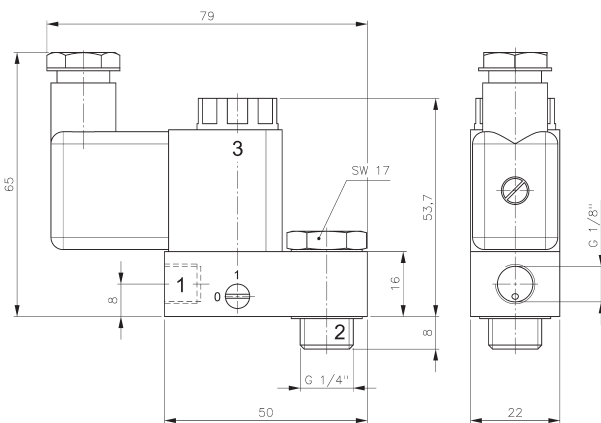
Products normally open on request.

2/2-way version on request.

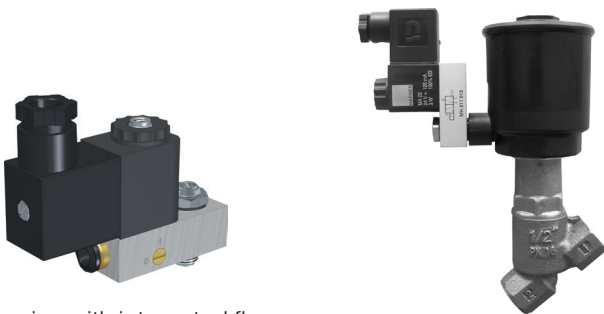
Available with solenoid operators:

230V/50Hz, 110V/50Hz, 24V/50Hz, 48V=, 24V=, 12V=.

Valves are generally equipped with manual override.



**MH 311 017**



Version with integrated flow-regulator available on request.

MH 311 013 and MH 311 017 are designed for piloting angle seat valves or small spring-return actuators.

When assembling this type of valve to a spring-return actuator, please take into consideration that there is no exhaust air recirculation ("purge").

Instead of the standard banjo-screw, the valve can also be equipped with a flow-regulating banjo-screw.

Three different versions are available on request: Banjo-screw to regulate the opening speed, the closing speed as well as the opening and closing speed (not independent).

Type	Function	Port			Air flow	Operating pressure	Power consumption	Weight
		1	2 banjo	3				
MH 311 013	n.c.	G 1/8"	G 1/8"	M5	50 l/min	0 - 10 bar	3 W = / 5 VA ~	0,14 kg ❄️
MH 311 017	n.c.	G 1/8"	G 1/4"	M5	50 l/min	0 - 10 bar	3 W = / 5 VA ~	0,16 kg ❄️