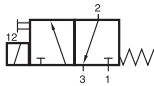


# MH 311 205/MH 311 209



MH 311 205  
MH 311 209

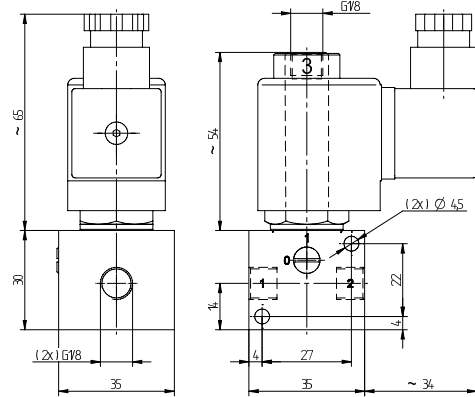


Normally closed direct acting 3/2-way solenoid valve equipped with mechanical spring return.  
Orifice size: 2 mm, max. pressure 10 bar.

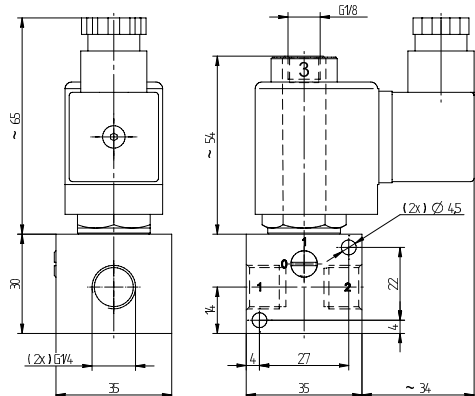
Available with solenoid operators:  
230V/50Hz, 24V/50 Hz, 24V=.  
Others on request.

Valves are generally equipped with manual override.

Suitable solenoid coils type MA 30 S13 \_\_ and connectors Form A (30 mm) type ST 30 can be found on page 2.13.5.



**MH 311 205**



**MH 311 209**

Type	Port size			Air flow	Operating press.	Power cons.	Weight
	1	2	3				
MH 311 205	G 1/8"	G 1/8"	G 1/8"	120 l/min	0 - 10 bar	10 W = /13/11 VA ~	0,31 kg
MH 311 209	G 1/4"	G 1/4"	G 1/8"	120 l/min	0 - 10 bar	10 W = /13/11 VA ~	0,31 kg