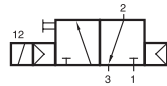
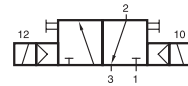


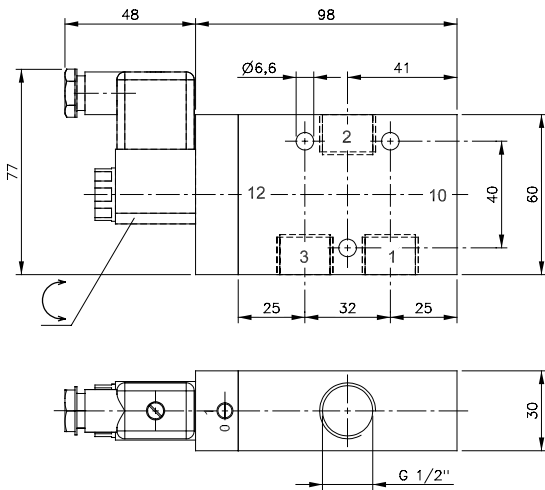
MH 310 121 VES/MH 320 121 VES



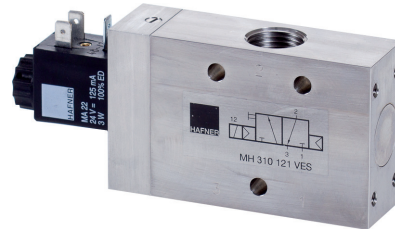
MH 310 121 VES
MH 310 121 NPT VES



MH 320 121 VES



MH 310 121 VES
MH 310 121 NPT VES



Type MH 310 121 VES 3/2-way solenoid valve normally closed actuated by permanent signal and equipped with air spring return.

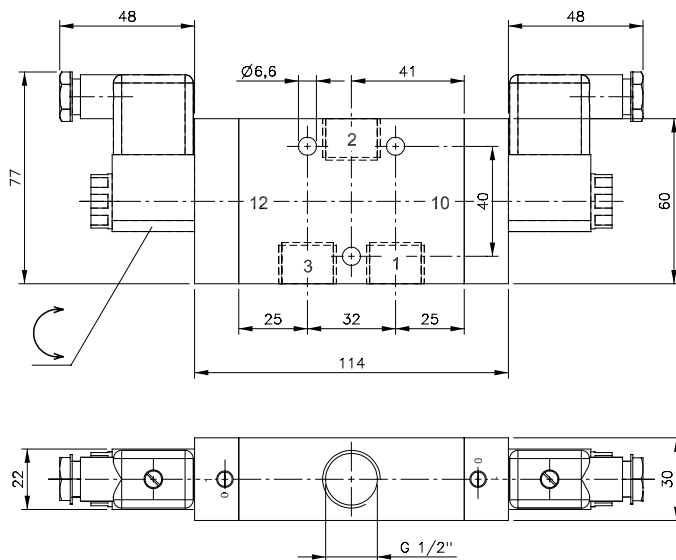
Type MH 320 121 VES 3/2-way double solenoid valve. Position is kept until an electrical signal is applied to the opposite side even when not attached to an electrical source.

Body parts are made from stainless steel 316L / 1.4404, rubber parts are made from FKM.

Valves are available with solenoid operators: 230V/50Hz, 110V/50Hz, 24V/50Hz, 48V=, 24V-, 12V=.

Valves are equipped with manual override to be turned.

Normally open version on request.



MH 320 121 VES

Type	Function	Port size	Air flow	Oper. Press.	Power cons.	Weight
MH 310 121 VES	n.c.	G 1/2"	3000 l/min	1 - 10 bar	3 W = / 5 VA ~	1,20 kg
MH 310 121 NPT VES	n.c.	1/2" NPT	3000 l/min	1 - 10 bar	3 W = / 5 VA ~	1,20 kg
MH 320 121 VES	double coil	G 1/2"	3000 l/min	2 - 10 bar	3 W = / 5 VA ~	1,45 kg