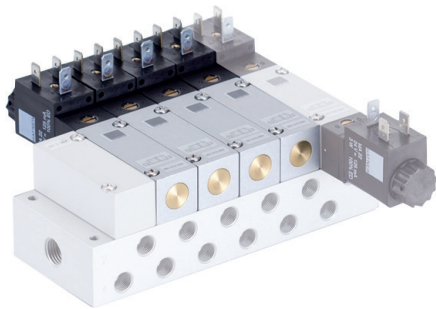


# MH 510 304/MH 510 504 MH 510 704/MH 510 104



MH 510 304    MH 510 704  
MH 510 504    MH 510 104



5/2-way solenoid valve actuated by permanent signal and equipped with air spring return. All the ports are in the plate.

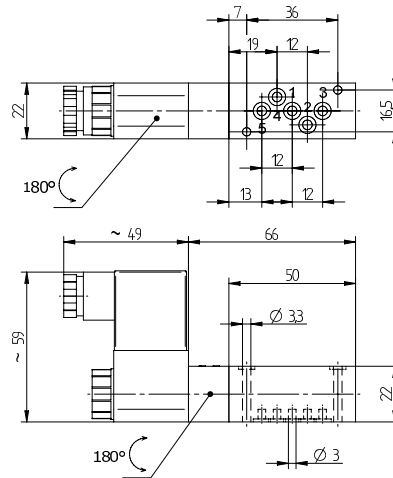
Available with solenoid operators:  
230V/50Hz, 110V/50Hz, 24V/50Hz, 48V=  
24V=, 12V=.

Valves are generally equipped with manual override.  
If requested without manual override please order  
M 510 \_\_\_\_.

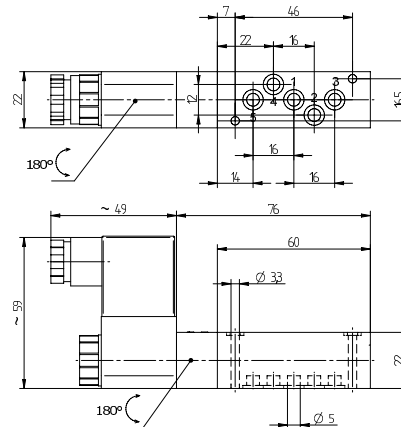
Manifolds for valves type 304 and 504 are displayed  
on page 2.7.2.7. Manifolds for valves type 704 are  
displayed on page 2.7.2.8 and 2.7.2.9. Manifolds for  
valves type 104 are displayed on page 2.7.2.10.

Blanking plates are also available type BP 5 304,  
BP 5 504 or BP 5 704.

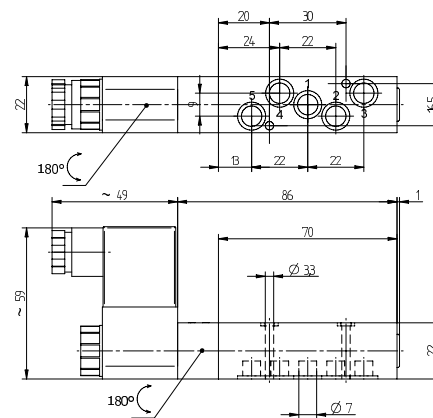
Mounting screws and seals are included.



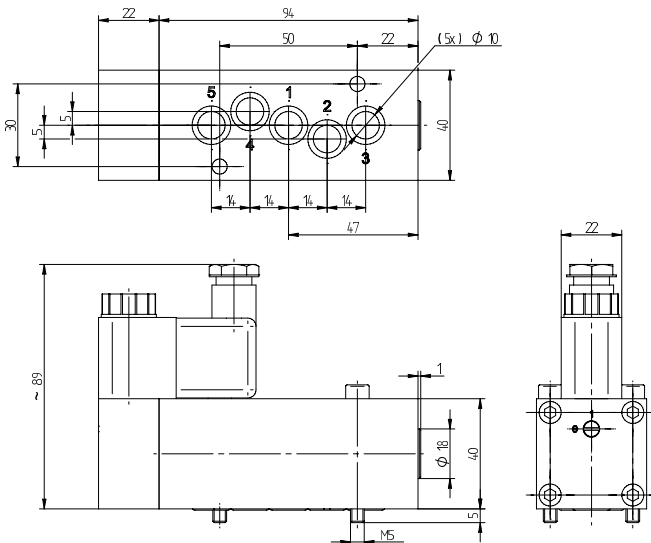
**MH 510 304**



**MH 510 504**



**MH 510 704**



**MH 510 104**

Type	Port size	Air flow	Operating press.	Power cons.	Weight
MH 510 304	Ø 3 mm	220 l/min	2 - 10 bar	3 W = / 5 VA ~	0,18 kg ❄️
MH 510 504	Ø 5 mm	650 l/min	2 - 10 bar	3 W = / 5 VA ~	0,19 kg ❄️MK
MH 510 704	Ø 7 mm	1250 l/min	2 - 10 bar	3 W = / 5 VA ~	0,20 kg ❄️MK
MH 510 104	Ø 10 mm	2250 l/min	1 - 10 bar	3 W = / 5 VA ~	0,61 kg