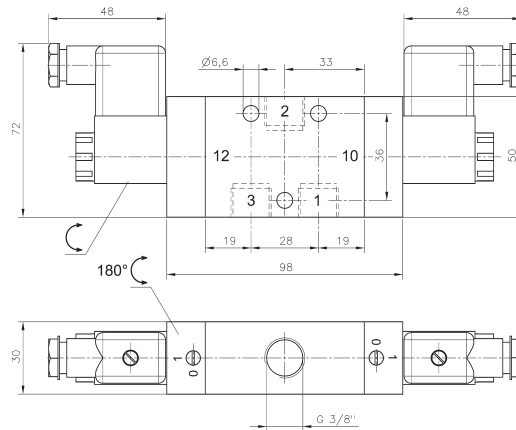
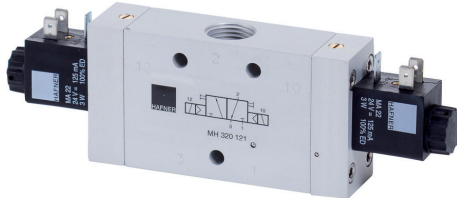
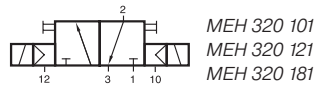
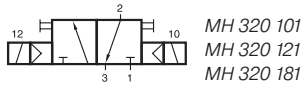


MH 320 101/MH 320 121/MH 320 181



MH 320 101

3/2-way double solenoid valve actuated by impulse. Position is kept until an electrical signal is applied to the opposite side even when not attached to an electrical source.

Available with solenoid operators:
230V/50Hz, 110V/50Hz, 24V/50Hz, 48V=
24V=, 12V=.

Valves are generally equipped with manual override. If requested without manual override please order type no. M 320 ____.

Valves are also available with external pilot feed.

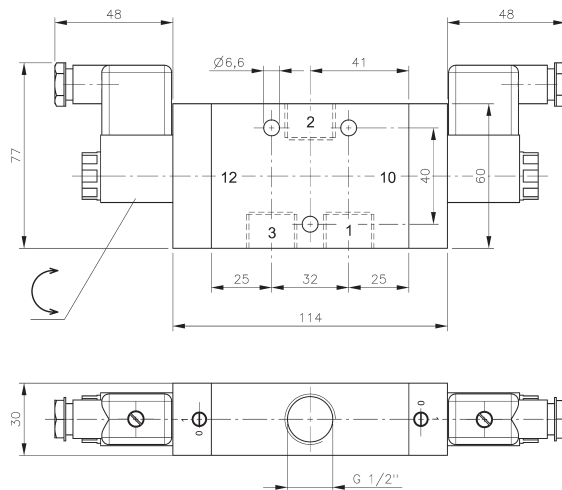
Type: MEH 320 ____.

Port 12: G 1/8".

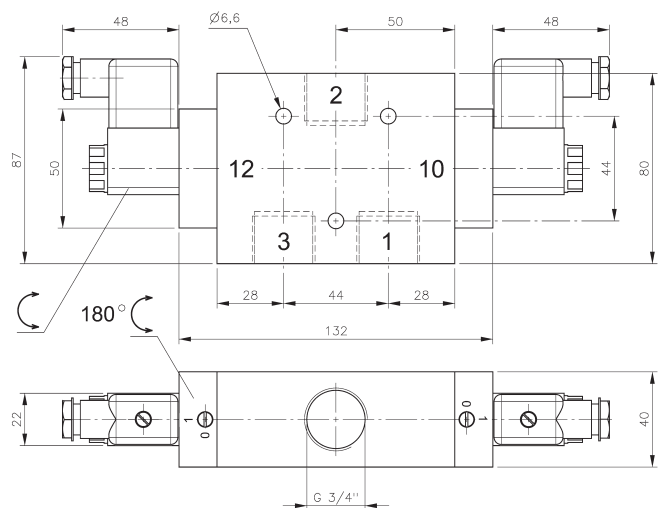
Minimum actuation pressure: 2,5 bar.

Operating pressure: 0 - 10 bar.

Version for vacuum on request.



MH 320 121



MH 320 181

Type	Port size	Air flow	Operating press.	Power consumption	Weight
MH 320 101	G 3/8"	2250 l/min	1,5 - 10 bar	3 W = / 5 VA ~	0,58 kg
MH 320 121	G 1/2"	3000 l/min	1 - 10 bar	3 W = / 5 VA ~	0,70 kg
MH 320 181	G 3/4"	6000 l/min	1 - 10 bar	3 W = / 5 VA ~	1,08 kg