

10 mm Solenoid Valves

0,6 W Power Consumption

10,5 mm wide

230 l/min air-flow

Service friendly design

High quality solenoid system

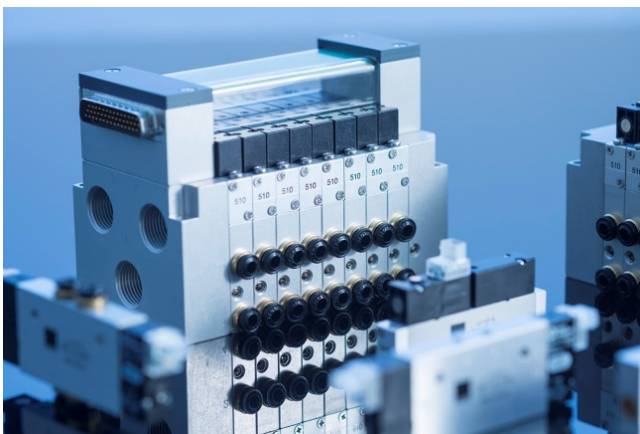
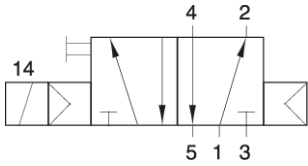


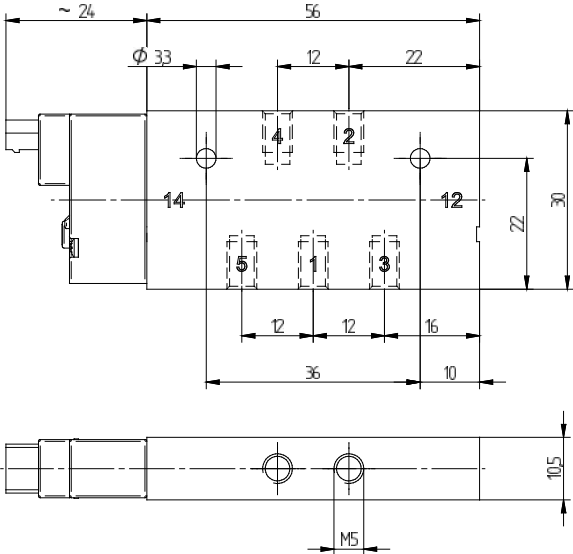
Table of Contents

page

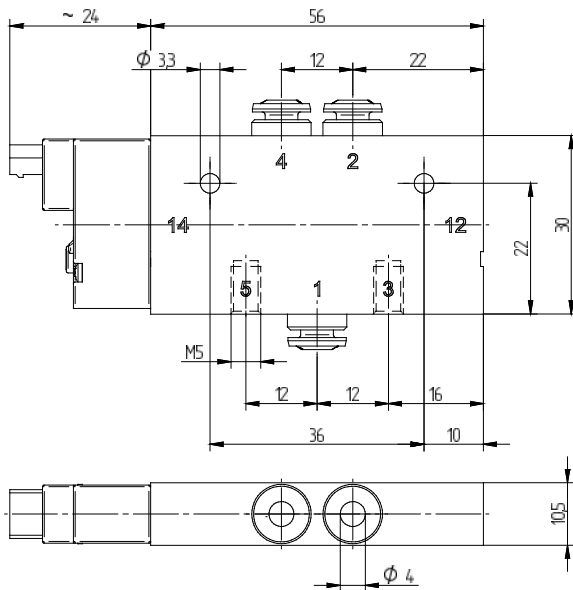
	5/2 way in-line valves		
3	MMD 510 301 24DC	M5	single solenoid
3	MMD 510 341 24DC	pif 4 mm	single solenoid
4	MMD 520 301 24DC	M5	double solenoid
4	MMD 520 341 24DC	pif 4 mm	double solenoid
	5/3 way in-line valves		
5	MMD 53_ 301 24DC	M5	
5	MMD 53_ 341 24DC	pif 4 mm	
	Base Plates		
6	RM 5 304 L	end-plate left	
6	RM 5 304 R	end-plate right	
6	RM 5 304	individual position	
6	BPM 5 304	blanking plate	
	Double 3/2-way base-mounted valves		
7	MMD 23_ 304 24DC	ports in the plate	
	5/2 way base-mounted valves		
8	MMD 510 304 24DC	ports in the plate	single solenoid
8	MMD 520 304 24DC	ports in the plate	double solenoid
	5/3 way base-mounted valves		
9	MMD 53_ 304 24DC	ports in the plate	



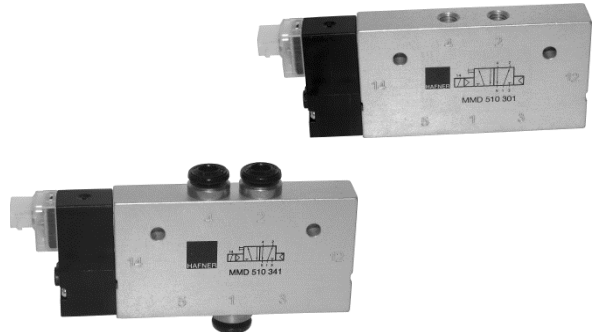
MMD 510 301 24DC
MMD 510 341 24DC



MMD 510 301 24DC



MMD 510 341 24DC



5/2-way solenoid valve actuated by permanent signal and equipped with air spring return.

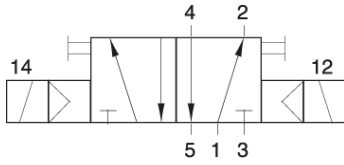
Available with 24V= solenoid system for connector according to JPC standard. 12V= available on request.

Solenoid with integrated LED and varistor. Protection class IP 40.

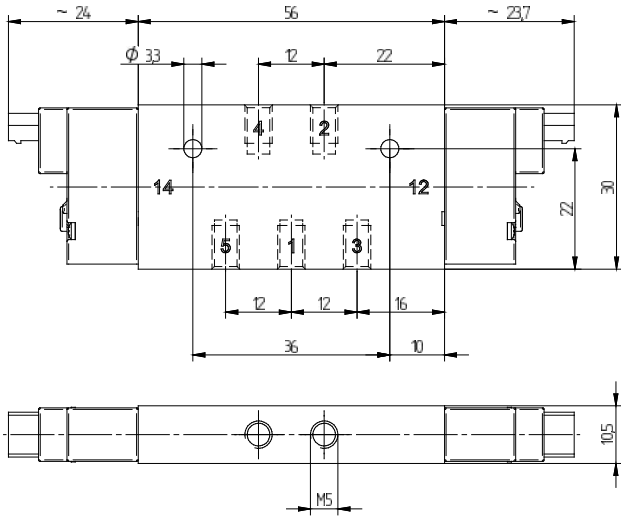
Valves are generally equipped with manual override to push.

Temperature range: -10°C to +50°C

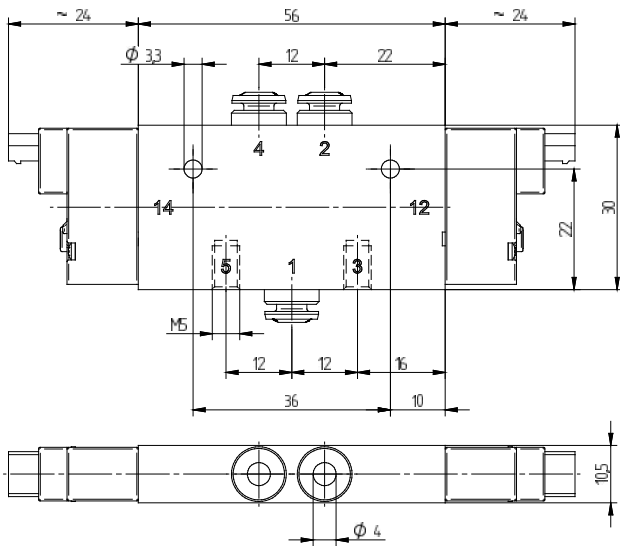
Type	Ports 1,2, 4	Air flow	Operating press.	Power consumption	Weight
MMD 510 301 24DC	M5	230 l/min	3 – 8 bar	0,6 W	0,058 kg
MMD 510 341 24DC	pif 4 mm	230 l/min	3 – 8 bar	0,6 W	0,064 kg



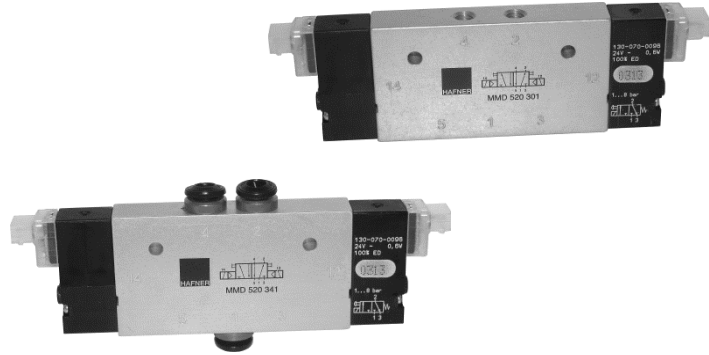
MMD 520 301 24DC
MMD 520 341 24DC



MMD 520 301 24DC



MMD 520 341 24DC



5/2-way double solenoid valve actuated by impulse. Position is kept until an electrical signal is applied to the opposite side even when not attached to electrical signal.

Available with 24V= solenoid system for connector according to JPC standard. 12V= available on request.

Solenoid with integrated LED and varistor. Protection class IP 40.

Valves are generally equipped with manual override to push.

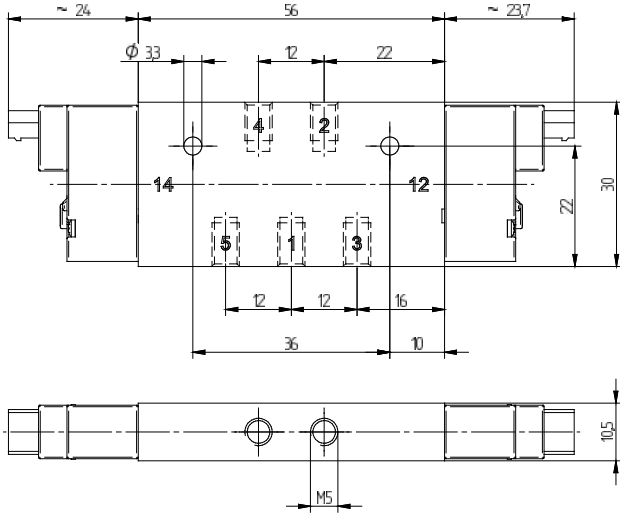
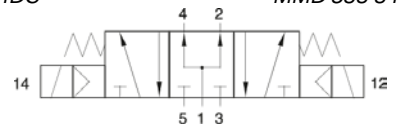
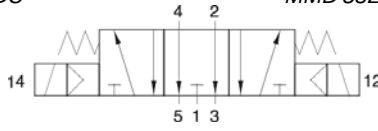
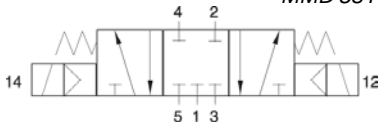
Temperature range: -10°C to +50°C

Type	Ports 1, 2, 4	Air flow	Operating press.	Power consumption	Weight
MMD 520 301 24DC	M5	230 l/min	3 – 8 bar	0,6 W	0,068 kg
MMD 520 341 24DC	pif 4 mm	230 l/min	3 – 8 bar	0,6 W	0,074 kg

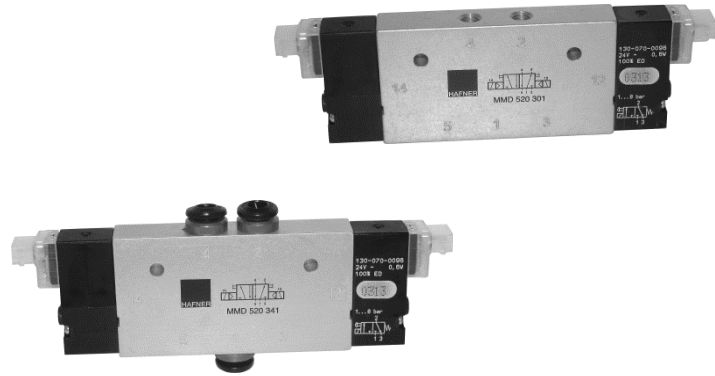
MMD 531 301 24DC
MMD 531 341 24DC

MMD 532 301 24DC
MMD 532 341 24DC

MMD 533 301 24DC
MMD 533 341 24DC



MMD 53_ 301 24DC



5/3-way solenoid valve with spring return to middle position, actuated by permanent signal.

- Type 531 centre closed
- Type 532 centre exhausted
- Type 533 centre pressurised

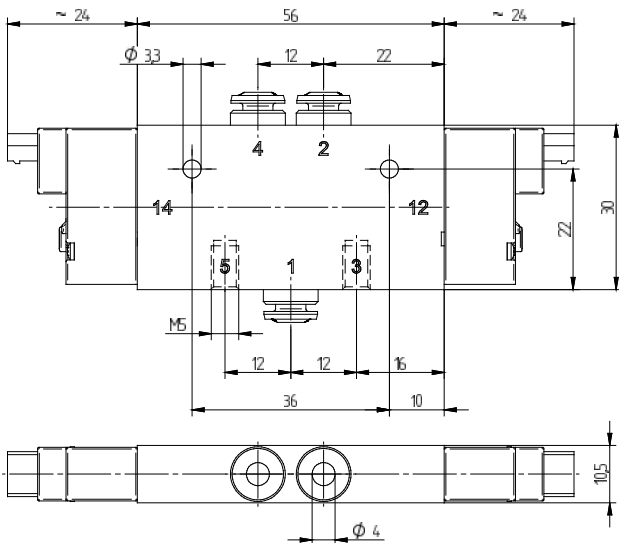
When ordering please complete the type number by 1, 2 or 3 according to the type required.

Available with 24V= solenoid system for connector according to JPC standard.
12V= available on request.

Solenoid with integrated LED and varistor.
Protection class IP 40.

Valves are generally equipped with manual override to push.

Temperature range: -10°C to +50°C



MMD 53_ 341 24DC

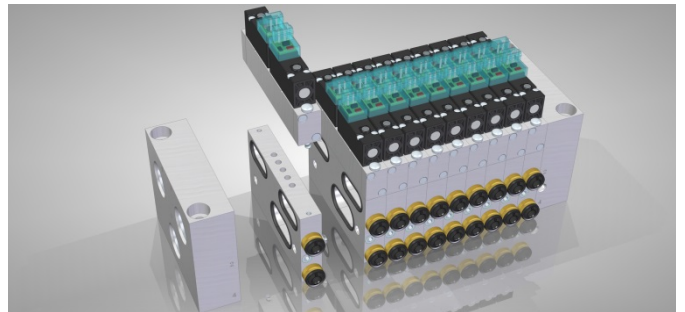
Type	Ports 1, 2, 4	Air flow	Operating press.	Power consumption	Weight
MMD 53_ 301 24DC	M5	230 l/min	3 – 8 bar	0,6 W	0,068 kg
MMD 53_ 341 24DC	pif 4 mm	230 l/min	3 – 8 bar	0,6 W	0,074 kg



Modular manifold system for common connection to ports 1 (pressure), 3 and 5 (exhaust).
The ports 2 and 4 of the individual valves are also located in the manifold plate.

The system can be build and taken apart just by operating two hexagon socket screws. Additional stations can be added at any position and any time.

Valves to be screwed from the top onto the modular manifold plate.



Illustration

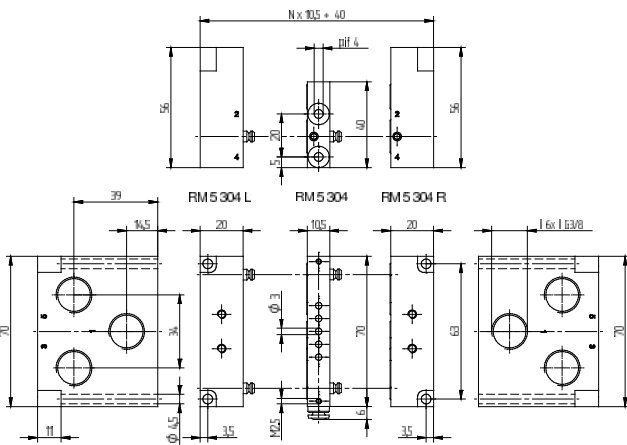
The following valves can be assembled to the system RM 5 304:

Double 3/2-way (NC&NC)	MMD 230 304 24DC
Double 3/2-way (NC&NO)	MMD 231 304 24DC
Double 3/2-way (NO&NO)	MMD 232 304 24DC
5/2 single sol.	MMD 510 304 24DC
5/2 double sol.	MMD 520 304 24DC
5/3 solenoid	MMD 53_ 304 24DC

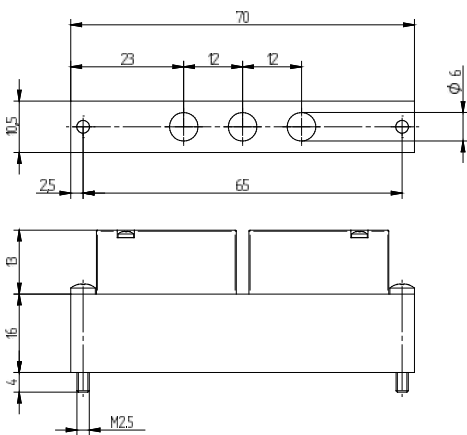
Blanking plates are also available type BPM 5 304.

Please notice:
End-plates do not offer an individual valve-position.

The plates can also be ordered assembled by the manufacturer. In this case order RM 5_ 304.
Please add two digits for the number of positions required.



RM 5 304 L/RM 5 304/RM 5 304 R

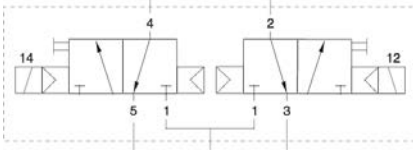


BPM 5 304

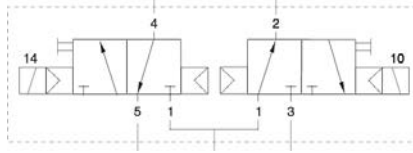
Type	Function	Ports	Weight
RM 5 304 L	End-plate left	G 3/8"	0,176 kg
RM 5 304 R	End-plate right	G 3/8"	0,176 kg
RM 5 304	Individual position	pif 4 mm	0,064 kg
BPM 5 304	Blanking plate	-	0,054 kg

MMD 231 304 24DC / MMD 232 304 24DC MMD 233 304 24DC

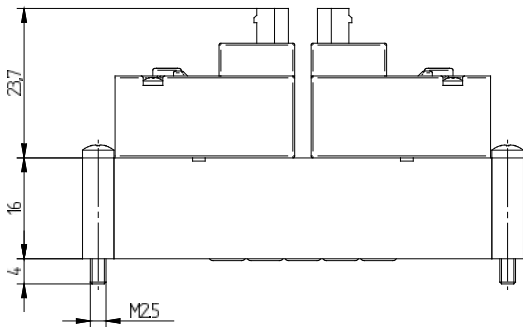
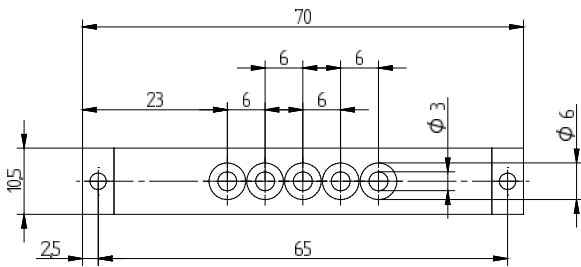
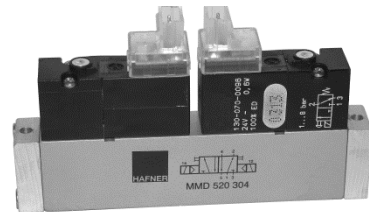
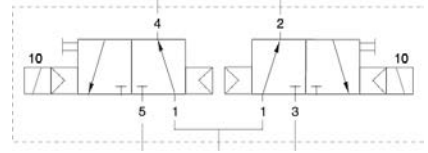
MMD 231 304 24DC



MMD 232 304 24DC



MMD 233 304 24DC



MMD 23_304 24DC

Double 3/2-way solenoid valve actuated by permanent signal and equipped with air spring return.

Type 231 NC & NC
Type 232 NC & NO
Type 233 NO & NO

When ordering please complete the type number by 1, 2 or 3 according to the type required.

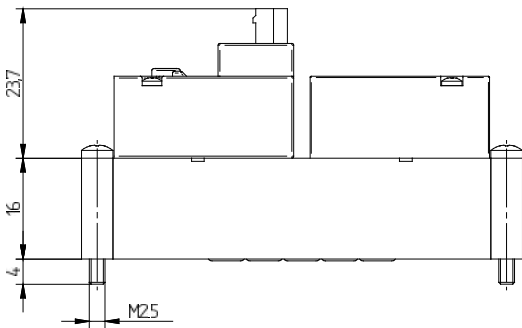
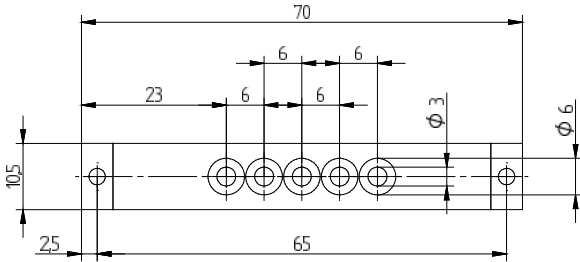
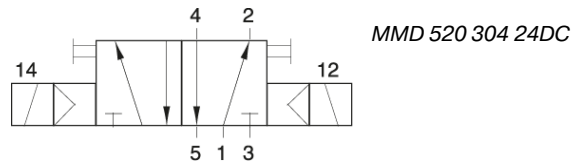
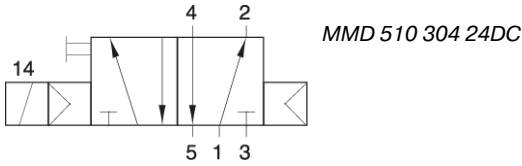
Available with 24V= solenoid system for connector according to JPC standard.
12V= available on request.

Solenoid with integrated LED and varistor.
Protection class IP 40.

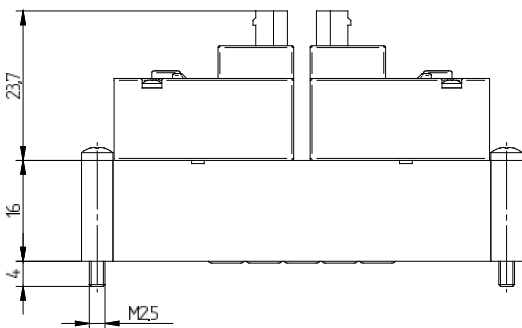
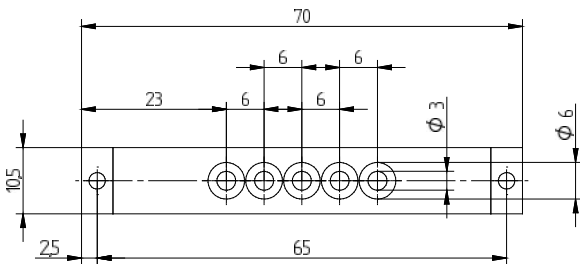
Valves are generally equipped with manual override to push.

Temperature range: -10°C to +50°C

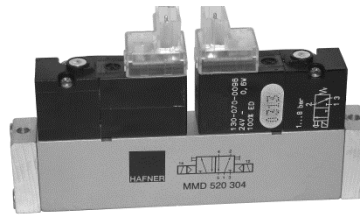
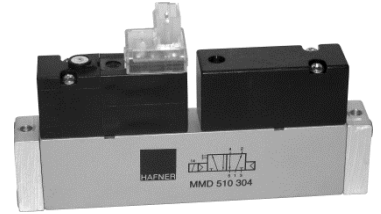
Type	Port size	Air flow	Operating press.	Power consumption	Weight
MMD 23_304 24DC	ø 3 mm	230 l/min	3 – 8 bar	0,6 W	0,054 kg



MMD 510 304 24DC



MMD 520 304 24DC



MMD 510 304:

5/2-way solenoid valve actuated by permanent signal and equipped with air spring return. All the ports are in the plate.

MMD 520 304:

5/2-way double solenoid valve actuated by impulse. Position is kept until an electrical signal is applied to the opposite side even when not attached to electrical signal. All the ports are in the plate.

Available with 24V= solenoid system for connector according to JPC standard. 12V= available on request.

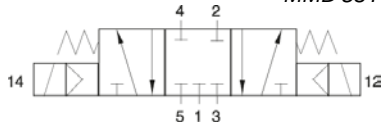
Solenoid with integrated LED and varistor. Protection class IP 40.

Valves are generally equipped with manual override to push.

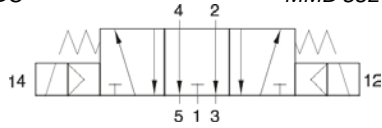
Temperature range: -10°C to +50°C

Type	Port size	Air flow	Operating press.	Power consumption	Weight
MMD 510 304 24DC	∅ 3 mm	230 l/min	3 – 8 bar	0,6 W	0,054 kg
MMD 520 304 24DC	∅ 3 mm	230 l/min	3 – 8 bar	0,6 W	0,054 kg

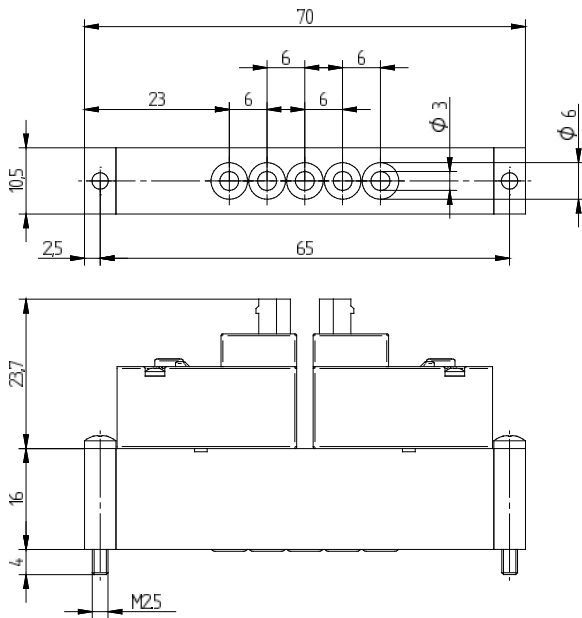
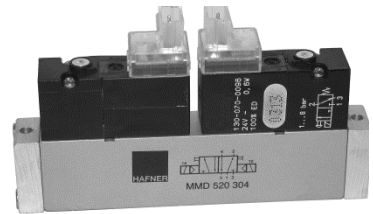
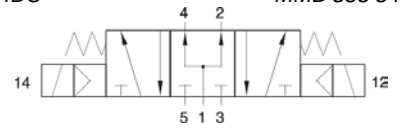
MMD 531 301 24DC
MMD 531 341 24DC



MMD 532 301 24DC
MMD 532 341 24DC



MMD 533 301 24DC
MMD 533 341 24DC



MMD 53_ 304 24DC

5/3-way solenoid valve with spring return to middle position, actuated by permanent signal. All the ports are in the plate.

Type 531 centre closed
Type 532 centre exhausted
Type 533 centre pressurised

When ordering please complete the type number by 1, 2 or 3 according to the type required.

Available with 24V= solenoid system for connector according to JPC standard. 12V= available on request.

Solenoid with integrated LED and varistor. Protection class IP 40.

Valves are generally equipped with manual override to push.

Temperature range: -10°C to +50°C

Type	Port size	Air flow	Operating press.	Power consumption	Weight
MMD 53_ 304 24DC	ø 3 mm	230 l/min	3 – 8 bar	0,6 W	0,054 kg