

Data sheet, pneumatic actuator APD / APS – 130

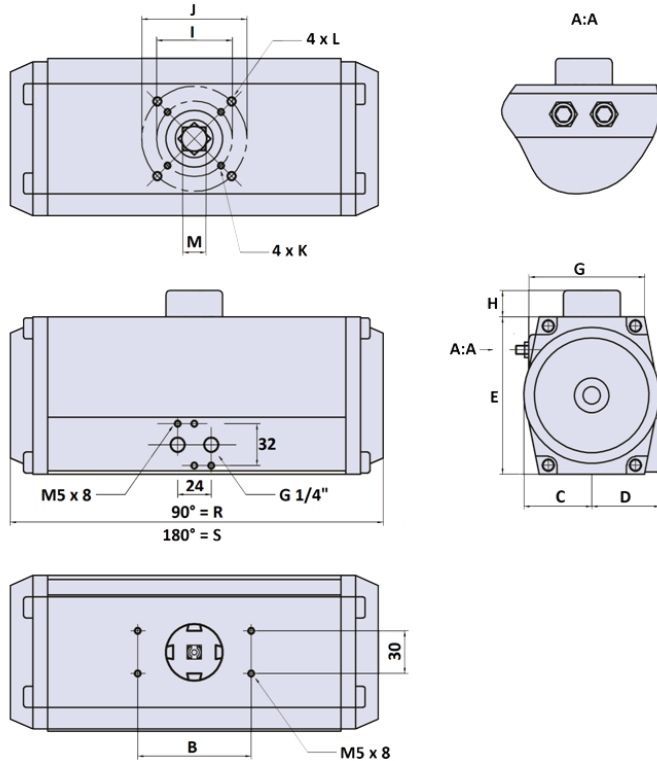


Table of dimensions

Actuator type	B	C	D	E	G	H	I	J	K	L	M x depth	R	S
APD/APS-130	80	70	71	155	113,3	20	70	102	M8x13	M10x16	22x26	301	429

Torque-table double-acting, type APD (Nm)

Actuator type	Control pressure Pst (bar)											
	2	2,5	3	3,5	4	4,5	5	5,5	6	7	8	
APD - 130	103	128	154	180	205	231	257	282	308	359	410	

Torque-table single-acting, type APS (Nm)

Actuator type	No. springs	Md F (Nm)	Pneumatic applied torque Md (Nm) at minimum control pressure Pst (bar)																			
			2		2,5		3		3,5		4		4,5		5		5,5		6		7	
			min	max	min	max	min	max	min	max	min	max	min	max	min	max	min	max	min	max	min	max
APS - 130	4	41,9 62,7	39,9	60,7	65,5	86,3																
	5	52,4 78,4	24,2	50,2	49,9	75,9	75,5	101,5														
	6	62,8 94,1			34,2	65,5	59,8	91,1	85,5	116,8												
	7	73,3 109,7					44,2	80,6	69,9	106,3	95,5	132										
	8	83,8 125,4							54,2	95,8	79,8	121,4	105,5	147,1								
	9	94,2 141,1									64,1	111	90	137	115	162						
	10	104,7 156,8											74	126	100	152	125	178				
	11	115,2 172,4													84	141	110	167	135	193		
	12	125,7 188,1															94	157	120	182	171	233

Weight, air consumption, switch times: Double-acting, type APD, single-acting, type APS

Actuator type	Weight (kg)	Volume (l)	Switch time (sek.)	Ambient temperature	
				Standard	High-temp.
APD -130	8,90	3,32	4,2	-35 bis +80°C	-15° bis +150°C
APS -130	10,11	1,47	4,40		

\*Quoted switch times are guidelines for a double-stroke at 5 bar control pressure and at 50% rated loading.  
 With high valve actuating speeds potentially dangerous large braking forces can arise in the actuator end positions.  
 Tip: Throttle the exhaust air or select a larger actuator.

Ordering code

**APD - 130 / 090 - V22 - H**  
**APS - 130 / 090 - 06\* - V22 - H**  
 \* The number of springs ( 4 up to 12 pcs. ) must be matched to the control pressure beforehand.

