

Data sheet, pneumatic actuator APD / APS – 080

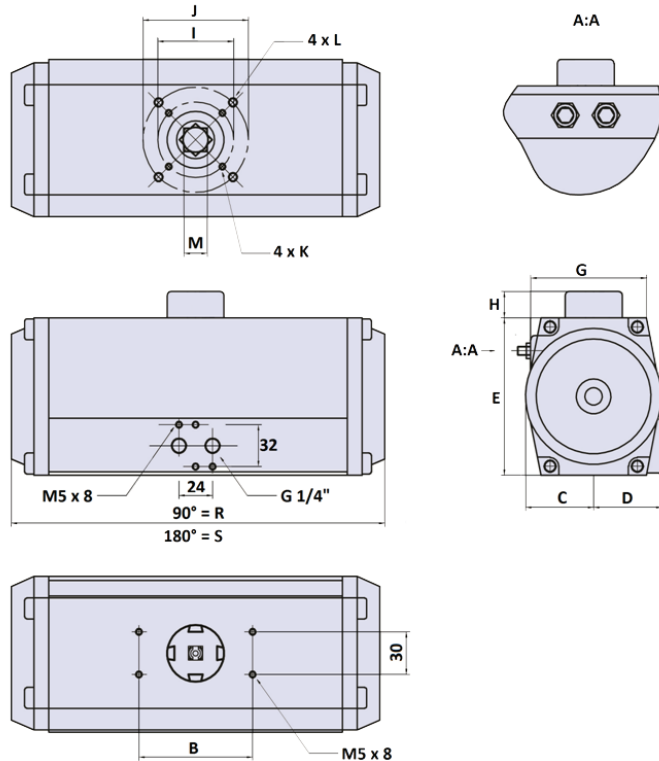


Table of dimensions

Actuator type	B	C	D	E	G	H	I	J	K	L	M x depth	R	S
APD/APS-080	80	45	56	109	79,5	20	50	70	M6x10	M8x13	17 x 21	204	298

Torque-table double-acting, type APD (Nm)

Actuator type	Control pressure Pst (bar)										
	2	2,5	3	3,5	4	4,5	5	5,5	6	7	8
APD - 080	31	39	47	55	62	70	78	86	94	109	125

Torque-table single-acting, type APS (Nm)

Actuator type	No. springs	Pneumatic applied torque Md (Nm) at minimum control pressure Pst (bar)																							
		Md F (Nm)		2		2,5		3		3,5		4		4,5		5		5,5		6		7			
		min	max	min	max	min	max	min	max	min	max	min	max	min	max	min	max	min	max	min	max	min	max		
APS - 080	4	12,6	18,4	12,8	18,6	20,6	26,4																		
	5	15,8	23,0	8,2	15,4	16,0	23,2	23,8	31,0																
	6	19,0	27,6			11,4	20	19,2	27,8	27	35,6														
	7	22,1	32,2					14,6	24,7	22,4	32,5	30,2	40,3												
	8	25,3	36,8							17,8	29,3	25,6	37,1	33	44,9										
	9	28,5	41,4											21	33,9	29	41,7	36,6	49,5						
	10	31,6	46,0													24	38,6	32	46,4	39,8	54,2				
	11	34,8	50,6															27,4	43,2	35,2	51	43	58,8		
	12	38,0	55,2																	30,6	47,8	38,4	55,6	54	71,2

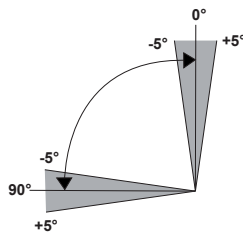
Weight, air consumption, switch times: Double-acting, type APD, single-acting, type APS

Actuator type	Weight (kg)	Volume (l)	Switch time (sek.)	Ambient temperature	
				Standard	High-temp.
APD -080	3,13	0,96	1,50	-35 bis +80°C	-15° bis +150°C
APS -080	3,75	0,41	2,85		

\*Quoted switch times are guidelines for a double-stroke at 5 bar control pressure and at 50% rated loading.  
 With high valve actuating speeds potentially dangerous large braking forces can arise in the actuator end positions.  
 Tip: Throttle the exhaust air or select a larger actuator.

Ordering code

**APD - 080 / 090 - V17 - H**  
**APS - 080 / 090 - 06\* - V17 - H**  
 \* The number of springs ( 4 up to 12 pcs. ) must be matched to the control pressure beforehand.



End position adjustment

The pivoting angle can be adjusted in both end positions with the adjustment screws in a pressure free condition by between +5° and -5°. The lock-nuts ensure that the new position is secured.