

Data sheet, pneumatic actuator APD - 040

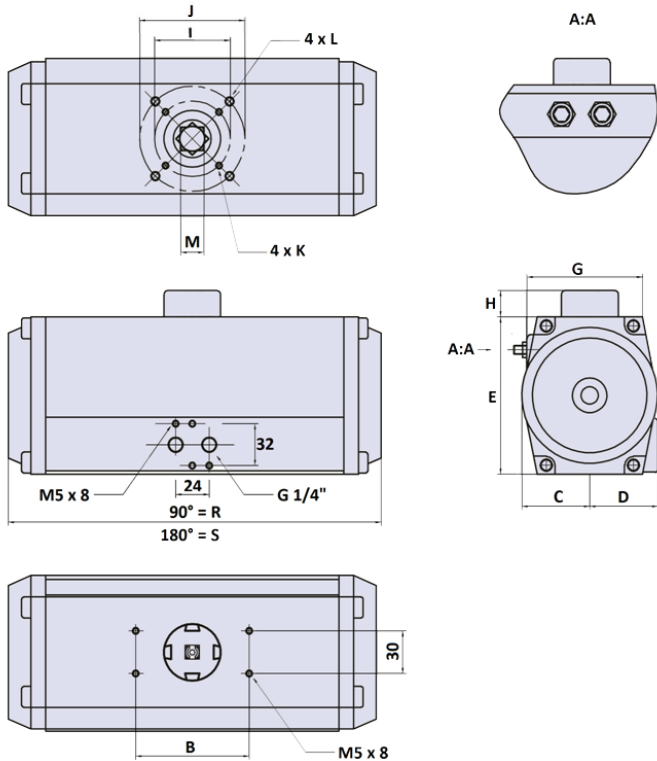


Table of dimensions

Actuator type	B	C	D	E	G	H	I	J	K	L	M x depth	R	S
APD - 040	80	28,5	36,5	60	65	20	36	50	M5x8	M6x10	9x11	122	-

Torque-table double-acting, type APD (Nm)

Actuator type	Control pressure Pst (bar)											
	2	2,5	3	3,5	4	4,5	5	5,5	6	7	8	
APD - 050	4,8	6	7,2	8,4	9,6	10,8	12	13,2	14,4	16,8	19,2	

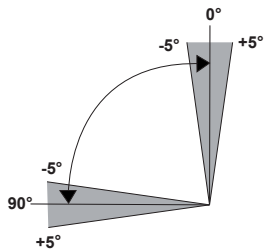
Weight, air consumption, switch times: Double-acting, type APD, single-acting, type APS

Actuator type	Weight (kg)	Volume (l)	Switch time (sek.)	Ambient temperature	
				Standard	High-temp.
APD -040	0,80	0,11	1,1	-35 bis +80°C	-15° bis +150°C

\*Quoted switch times are guidelines for a double-stroke at 5 bar control pressure and at 50% rated loading.  
 With high valve actuating speeds potentially dangerous large braking forces can arise in the actuator end positions.  
 Tip: Throttle the exhaust air or select a larger actuator.

Ordering code

APD	-	040	/	090	-	V09	-	H
Mode of operation D = Double		type / size		Pivoting- angel		Pinion- type		Assembly- position



End position adjustment

The pivoting angle can be adjusted in both end positions with the adjustment screws in a pressure free condition by between +5° and -5°. The lock-nuts ensure that the new position is secured.