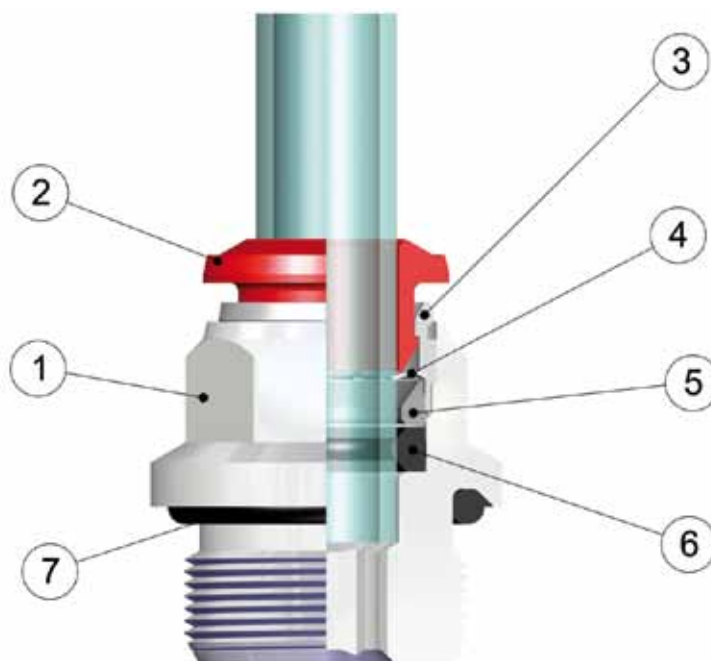




Serie 50000

RACCORDI AD INNESTO AUTOMATICO
PUSH-IN FITTINGS

Caratteristiche Tecniche / Technical Characteristics



Materiali e Componenti / Component Parts and Materials

- 1 Corpo in Ottone Nichelato
- 2 Spintore sgancio tubo in resina acetatica
- 3 Capsula in ottone nichelato
- 4 Pinza d'aggraffaggio in acciaio inox aisi 301
- 5 Anello di sicurezza in Tecnopolimero
- 6 Guarnizione a labbro in NBR
- 7 Guarnizione filetto in NBR

- 1 Nickel-plated brass Body
- 2 Acetalic resin Collet
- 3 Nickel-plated brass Capsule
- 4 Steel aisi 301 Clamping washer
- 5 Technopolymeric Safety ring
- 6 Nbr Lip seal
- 7 Nbr Thread packing

Pressioni / Pressures

Pressione minima / Minimum pressure: **-0.99 bar** (-0.099 MPa)
 Pressione massima / Maximum pressure: **15 bar** (1.5 MPa)

Temperature / Temperatures

Temperatura minima / Minimum temperature: **-20 °C**
 Temperatura massima / Maximum temperature: **+80 °C**

Filettature / Threads

Gas conica "short" / "Short" Tapered thread.
 Gas conica conforme ISO 7.1, BS 21, DIN 2999 / Tapered gas in conformity with ISO 7.1, BS 21, DIN 2999.
 Gas cilindrica conforme ISO 228 Classe A / Parallel gas in conformity with ISO 228 Class A.
 Metrica conforme ISO R/262 / Metric in conformity with ISO R/262.

Tubi di collegamento / Connection Tubes

Tubi in materiale plastico:
PA6, PA11, PA12, Polietilene, *Poliuretano, ecc.
 *Per tubi in Poliuretano è consigliata una durezza di 98 shore.
 Plastic tubes:
PA6, PA11, PA12, Polyethylene, *Polyurethane, ecc.
 *For Polyurethane hoses it is required a minimum hardness of 98 shore.

Fluidi compatibili / Fluids

Aria compressa / Compressed air.
Vuoto / Vacuum

Filettature / Threads

La filettatura conica "short" è progettata per soddisfare le seguenti caratteristiche:

- ridurre la lunghezza d'ingombro
- ridurre la chiave rispetto ad alcuni raccordi con filettature cilindriche
- consentire l'accoppiamento con diversi standard di filettature femmina sia coniche che cilindriche

The "short" taper thread has been designed to offer the following advantages to the users:

- reduced overall length;
- smaller hex dimensions compared to the parallel threads;
- to allow the assembly with different female threads both taper as well as parallel;



NPT
NPTF

Conica
Tapered

ISO 7
BSPP

Cilindrica
Parallell

ISO 7
BSPT
PT

Conica
Tapered

ISO 228
BSP
PF

Cilindrica
Parallell

consentire una completa tenuta anche su superfici non perfettamente piane, concave, convesse o inclinate, con diversi smussi o raggi.

To ensure the right tightening also with surfaces not perfectly flat, without spot-facing, concave convex and with different kinds of chamfers or radius.



Inclinate
Inclined



Concave
Concave



Convresse
Convex

Coppia di serraggio / Torque specifications



COPPIE DI SERRAGGIO PER FILETTATURE MASCHIO ISO-228 CON OR
TORQUE TO MALE THREADS ISO-228 WITH OR

MISURA MEASURE	COPPIA CONSIGLIATA Nm RECOMMENDED TORQUE Nm	COPPIA DI ROTTUR A Nm BREAKING TORQUE Nm
M5	0,08	0,32
1/8	3	8
1/4	9	30
3/8	10	60
1/2	12	50

I VALORI DI ROTTUR A POSSONO VARIARE IN BASE ALL'ARTICOLO
BREAKING VALUES MAY VARY ACCORDING TO THE ITEM



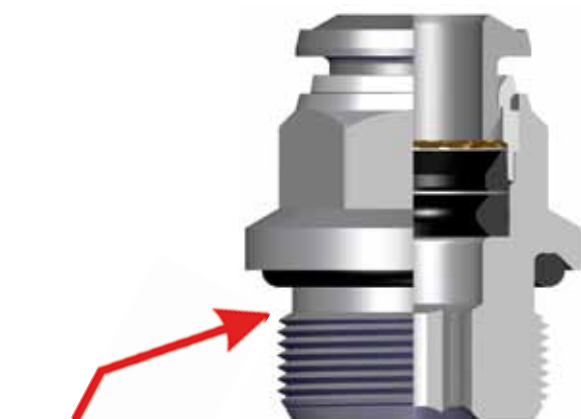
COPPIE DI SERRAGGIO PER FILETTATURE MASCHIO "SHORT"
TORQUE TO MALE THREADS "SHORT"

MISURA MEASURE	COPPIA MINIMA CONSIGLIATA Nm RECOMMENDED MINIMUM TORQUE Nm	COPPIA MASSIMA CONSIGLIATA Nm RECOMMENDED MAX TORQUE Nm
1/8	5	7
1/4	5	7
3/8	5	7
1/2	5	7

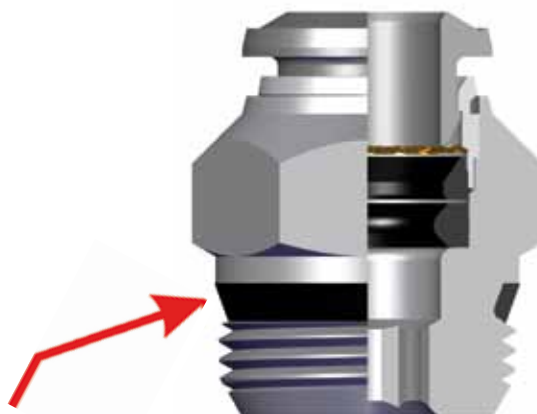
I VALORI DI ROTTUR A POSSONO VARIARE IN BASE ALL'ARTICOLO
BREAKING VALUES MAY VARY ACCORDING TO THE ITEM

Tutte le filettature di questa serie (anche la misura da M5) sono state dotate di elementi di tenuta che permettono l'immediato utilizzo dei raccordi riducendo notevolmente i tempi di installazione.

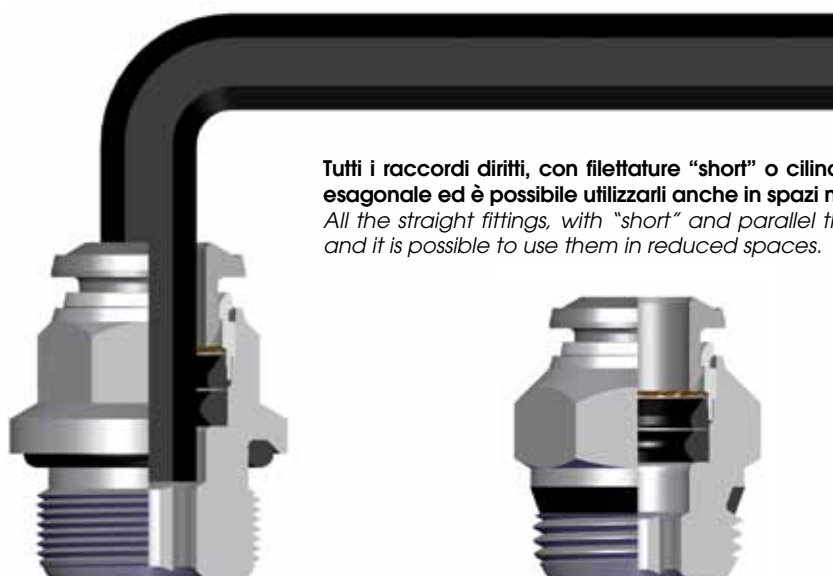
All of threads from this range (also the M5), have been equipped with tightening parts which allow the direct assembly of the fittings, reducing the installation time.



O-Ring di tenuta per filetti cilindrici
O-Ring of the parallel threads.



Anello di tenuta per filetti "short".
Thread packing for the "short" taper threads.



Tutti i raccordi dritti, con filettature "short" o cilindriche, possono essere montati anche con chiave esagonale ed è possibile utilizzarli anche in spazi molto ridotti.

All the straight fittings, with "short" and parallel threads can be assembled also with Allen wrench and it is possible to use them in reduced spaces.

Aggraffaggio Pinza / Clamping washer

La pinza in acciaio inox garantisce il perfetto aggraffaggio di tubi di qualsiasi materiale senza danneggiarne la superficie.

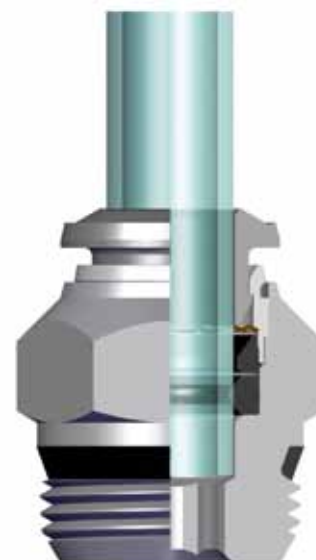
The washer is made in stainless steel ensures the perfect tube clamping with every kinds of materials without damage the surface.

Il collegamento tra tubo e raccordo assicura una tenuta totale anche in condizioni di urti e vibrazioni.

The connection between the tube and the fitting ensure a total tightness even in severe conditions such as impact and vibrations.

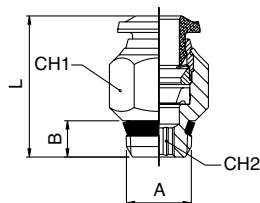
La particolare geometria della guarnizione permette inoltre l'utilizzo dei raccordi anche con il vuoto.

The particular geometric shape of the seal ensure the perfect tightness even with vacuum.



50000

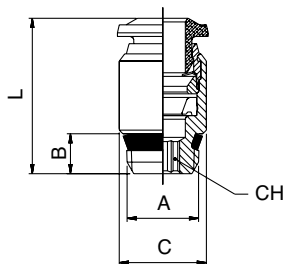
RACCORDO DIRITTO MASCHIO SHORT - STRAIGHT MALE ADAPTOR (SHORT)



Codice Code	Tubo Tube	A	B	L	CH1	CH2	Conf. Pack.
500000001	4	1/8	5.5	18	11	3	10
500000013	4	1/4	7	19	14	3	10
500000011	5	1/8	5.5	20	11	4	10
500000012	5	1/4	7	20	14	4	10
500000002	6	1/8	5.5	21.5	13	4	10
500000003	6	1/4	7	21	14	4	10
500000014	6	3/8	7.5	23	17	4	10
500000015	6	1/2	9	23.5	21	4	10
500000004	8	1/8	5.5	24.5	14	5	10
500000005	8	1/4	7	22	14	6	10
500000006	8	3/8	7.5	23	17	6	10
500000016	8	1/2	9	23.5	21	6	10
500000007	10	1/4	7	28	17	7	10
500000008	10	3/8	7.5	25.5	17	8	10
500000017	10	1/2	9	26	21	8	10
500000009	12	1/4	7	31.5	20	7	10
500000010	12	3/8	7.5	29.5	20	9	10
500000018	12	1/2	9	31.5	21	10	10
500000019	14	3/8	7.5	32.5	21	9	10
500000020	14	1/2	9	31.5	21	10	10

50010

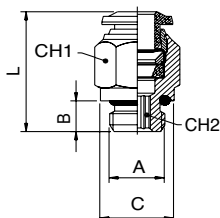
RACCORDO DIRITTO MASCHIO SHORT ESAGONO INCASSATO - STRAIGHT MALE ADAPTOR (SHORT) WITH EXAGON EMBEDDED



Codice Code	Tubo Tube	A	B	C	L	CH	Conf. Pack.
500100008	3	M5	4	8	19	2.5	10
500100001	4	M5	4	9.5	19.5	2.5	10
500100002	4	1/8	5.5	11	18	3	10
500100009	4	M7x1	5	10	21	2.5	10
500100007	6	M5	4	12	24.5	2.5	10
500100003	6	1/8	5.5	12	21.5	4	10
500100004	6	1/4	7	14	21	4	10
500100005	8	1/8	5.5	14	25	5	10
500100006	8	1/4	7	14	22.5	6	10

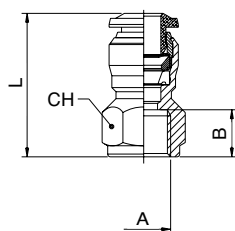
50020

RACCORDO DIRITTO MASCHIO CILINDRICO - STRAIGHT MALE ADAPTOR (PARALLEL)



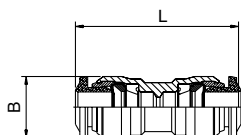
Codice Code	Tubo Tube	A	B	C	L	CH1	CH2	Conf. Pack.
500200021	3	M5	4	8	19	8	2	10
500200001	4	M5	4	8	21	10	2	10
500200002	4	1/8	6	13	20	10	3	10
500200022	4	1/4	8	16	19.5	16	3	10
500200018	5	M5	4	8	23.5	12	2	10
500200019	5	1/8	6	13	22	12	4	10
500200020	6	M5	4	10	24.5	13	2	10
500200003	6	1/8	6	13	23.5	13	4	10
500200004	6	1/4	8	16	23.5	13	4	10
500200027	6	3/8	9	20	25	13	4	10
500200028	6	1/2	10	25	27	13	4	10
500200005	8	1/8	6	13	25	14	5	10
500200006	8	1/4	8	16	23	14	6	10
500200007	8	3/8	9	20	24	14	6	10
500200029	8	1/2	10	25	26.5	14	6	10
500200008	10	1/4	8	16	30.5	17	6	10
500200009	10	3/8	9	20	27.5	17	8	10
500200031	10	1/2	10	25	27	17	8	10
500200032	12	1/4	8	16	34.5	20	6	10
500200011	12	3/8	9	20	34	20	8	10
500200023	12	1/2	10	25	31	22	10	10
500200024	14	3/8	9	20	35	21	10	10
500200025	14	1/2	10	25	32	22	10	10
500200012	6	M12x1	8	15	23.5	13	4	10
500200013	6	M12x1.25	8	15	23.5	13	4	10
500200014	6	M12x1.5	8	15	23.5	13	4	10
500200017	8	M12x1.5	8	15	27.5	14	6	10

50030

RACCORDO DIRITTO FEMMINA - STRAIGHT FEMALE ADAPTOR


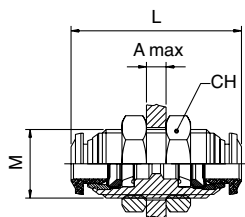
Codice Code	Tubo Tube	A	B	L	CH	Conf. Pack.
500300007	3	M5	5,5	18,5	9	10
500300008	4	M5	5,5	21	11	10
500300001	4	1/8	8,5	24	13	10
500300009	4	1/4	11	27,5	16	10
500300006	5	1/8	8,5	26,5	13	10
500300002	6	1/8	8,5	26	13	10
500300003	6	1/4	11	29,5	16	10
500300004	8	1/8	8,5	27	15	10
500300005	8	1/4	11	29,5	17	10
500300010	8	3/8	12	32	19	10
500300011	10	1/4	11	32	18	10
500300012	10	3/8	12	33,5	19	10
500300013	10	1/2	15	39	24	10
500300014	12	3/8	12	36	21	10
500300015	12	1/2	15	41	24	10

50040

RACCORDO DIRITTO INTERMEDIO - STRAIGHT CONNECTOR


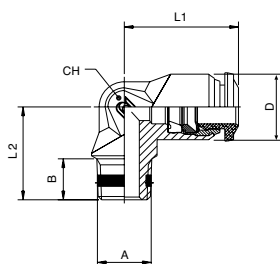
Codice Code	Tubo Tube	L	B	Conf. Pack.	
500400009	3	26	8,5	10	
500400001	4	30,5	10,5	10	
500400008	5	33	11,5	10	
500400002	6	4	32	12,5	10
500400003	6	34	12,5	10	
500400004	8	6	35	14,5	10
500400005	8	36	14,5	10	
500400011	10	8	40,5	17,5	10
500400006	10	42	17,5	10	
500400012	12	10	45,5	20,5	10
500400007	12	47	20,5	10	
500400010	14	49	21,5	10	

50050

RACCORDO DIRITTO INTERMEDIO DI ATTRAVERSAMENTO - BULKHEAD CONNECTOR


Codice Code	Tubo Tube	M	L	CH	A max	Conf. Pack.
500500007	3	M10x1	26	14	5	10
500500001	4	M12x1	31,5	17	7	10
500500006	5	M14x1	33	17	7	10
500500002	6	M14x1	35	17	9,5	10
500500003	8	M16x1	37	19	10,5	10
500500004	10	M20x1	43	24	12,5	10
500500005	12	M22x1	48	26	16,5	10

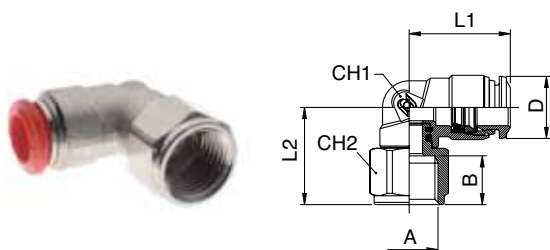
50100

RACCORDO A L MASCHIO CONICO - ELBOW MALE ADAPTOR (TAPER)


Codice Code	Tubo Tube	A	B	L1	L2	CH	D	Conf. Pack.
501000001	4	M5	5	17	15	9	10	10
501000002	4	1/8	7,5	17	15,5	9	10	10
501000010	5	M5	5	20	17	11	12,5	10
501000011	5	1/8	7,5	20	17,5	11	12,5	10
501000003	6	1/8	7,5	21	17,5	11	12,5	10
501000012	6	1/4	11	21	21,5	11	12,5	10
501000004	8	1/8	7,5	22,5	19	13	14	10
501000005	8	1/4	11	22,5	21,5	13	14	10
501000006	10	1/4	11	26,5	24,5	16	17	10
501000007	10	3/8	11,5	26,5	24	16	17	10
501000008	12	1/4	11	30,5	28	19	21,5	10
501000009	12	3/8	11,5	30,5	28	19	21,5	10

50106

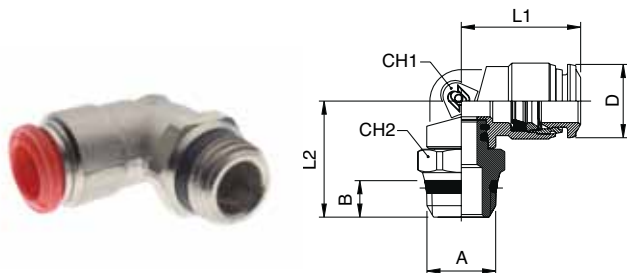
RACCORDO A L ORIENTABILE FEMMINA - ORIENTING ELBOW FEMALE ADAPTOR



Codice Code	Tubo Tube	A	B	L1	L2	CH1	CH2	D	Conf. Pack.
501060001	4	- 1/8	8.5	18	20	9	13	10	10
501060002	4	- 1/4	11	18	21.5	9	16	10	10
501060003	6	- 1/8	8.5	21	20.5	11	13	12.5	10
501060004	6	- 1/4	11	21	23	11	16	12.5	10
501060005	8	- 1/8	8.5	22.5	22	12	13	14.5	10
501060006	8	- 1/4	11	22.5	24.5	12	16	14.5	10

50111

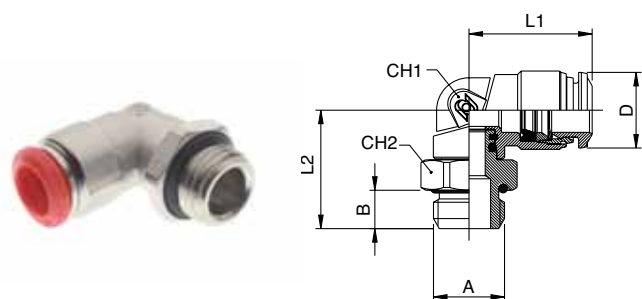
RACCORDO A L ORIENTABILE MASCHIO SHORT - ORIENTING ELBOW MALE ADAPTOR (SHORT)



Codice Code	Tubo Tube	A	B	L1	L2	CH	CH2	D	Conf. Pack.
501110001	4	1/8	5.5	18	19.5	9	13	10	10
501110002	4	1/4	7	18	21	9	15	10	10
501110003	5	1/8	5.5	20	21.5	11	13	12.5	10
501110004	6	1/8	5.5	21	21.5	11	13	12.5	10
501110005	6	1/4	7	21	23	11	15	12.5	10
501110006	8	1/8	5.5	22.5	24	12	13	14.5	10
501110007	8	1/4	7	22.5	24	12	15	14.5	10
501110008	8	3/8	7.5	22.5	24.5	12	17	14.5	10
501110009	8	1/2	9	22.5	27	12	21	14.5	10
501110010	10	1/4	7	26.5	26.5	14	16	17.5	10
501110011	10	3/8	7.5	26.5	24.5	14	17	17.5	10
501110012	10	1/2	9	26.5	27	14	21	17.5	10
501110013	12	3/8	7.5	31.5	26.5	16	20	21.5	10
501110014	12	1/2	9	31.5	29	16	21	21.5	10
501110015	14	3/8	7.5	31.5	27	16	20	21.5	10
501110016	14	1/2	9	31.5	29.5	16	21	21.5	10

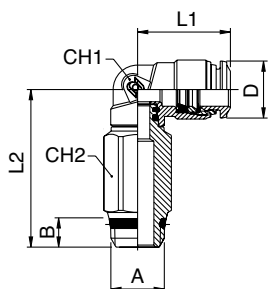
50116

RACCORDO ORIENTABILE A L MASCHIO CILINDRICO - ORIENTING ELBOW MALE ADAPTOR (PARALLEL)



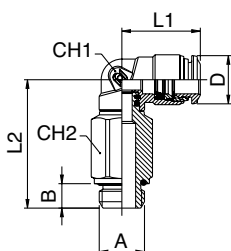
Codice Code	Tubo Tube	A	B	L1	L2	CH1	CH2	D	Conf. Pack.
501160001	3	M5	3.5	16.5	17.5	9	8	10	10
501160002	4	M5	3.5	18	17.5	9	8	10	10
501160003	4	1/8	5.5	18	18	9	13	10	10
501160004	4	1/4	7	18	18	9	16	10	10
501160005	5	M5	3.5	20	20	11	11	12.5	10
501160006	5	1/8	5.5	20	20	11	13	12.5	10
501160007	6	M5	3.5	21	20	11	11	12.5	10
501160008	6	1/8	5.5	21	20	11	13	12.5	10
501160009	6	1/4	7	21	21.5	11	16	12.5	10
501160010	8	1/8	5.5	22.5	22.5	12	13	14.5	10
501160011	8	1/4	7	22.5	23	12	16	14.5	10
501160012	8	3/8	8	22.5	25	12	20	14.5	25
501160013	8	1/2	9.5	22.5	26.5	12	25	14.5	10
501160014	10	1/4	7	26.5	25.5	14	16	17.5	10
501160015	10	3/8	8	26.5	25	14	20	17.5	10
501160016	10	1/2	9.5	26.5	26.5	14	25	17.5	10
501160025	12	1/4	8	31.5	27.5	16	20	21.5	10
501160017	12	3/8	8	31.5	27	16	20	21.5	10
501160018	12	1/2	9.5	31.5	28.5	16	25	21.5	10
501160019	14	3/8	8	31.5	27.5	16	20	21.5	10
501160020	14	1/2	9.5	31.5	29	16	25	21.5	10
501160021	6	M12x1	7.5	20	22	11	16	12.5	10
501160022	6	M12x1.25	7.5	20	22	11	16	12.5	10
501160023	6	M12x1.5	7.5	20	22	11	16	12.5	10
501160024	8	M12x1.5	7.5	22.5	23.5	12	16	14.5	10

50121

RACCORDO A L ORIENTABILE PROLUNGATO MASCHIO SHORT - EXTENDED ORIENTING ELBOW MALE ADAPTOR (SHORT)


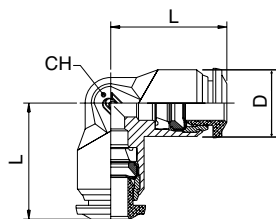
Codice Code	Tubo Tube	A	B	L1	L2	CH1	CH2	D	Conf. Pack.
5012100001	4	1/8	5.5	18	31.5	9	12	10	10
5012100002	4	1/4	7	18	33	9	15	10	10
5012100003	5	1/8	5.5	20	36	11	12	12.5	10
5012100004	6	1/8	5.5	21	36	11	12	12.5	10
5012100005	6	1/4	7	21	37.5	11	15	12.5	10
5012100006	8	1/8	5.5	22.5	40.5	12	12	14.5	10
5012100007	8	1/4	7	22.5	40.5	12	15	14.5	10
5012100008	8	3/8	7.5	22.5	41	12	16	14.5	10
5012100009	10	1/4	7	26.5	46	14	15	17.5	10
5012100010	10	3/8	7.5	26.5	44	14	17	17.5	10

50126

RACCORDO A L ORIENTABILE PROLUNGATO MASCHIO CILINDRICO - EXTENDED ORIENTING ELBOW MALE ADAPTOR (PARALLEL)


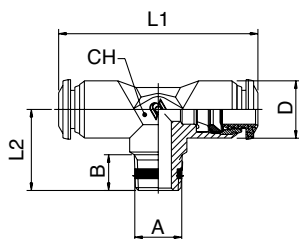
Codice Code	Tubo Tube	A	B	L1	L2	CH1	CH2	D	Conf. Pack.
5012600001	4	1/8	5.5	18	30	9	12	10	10
5012600002	4	1/4	7	18	32	9	15	10	10
5012600003	5	1/8	5.5	20	34.5	11	12	12.5	10
5012600004	6	1/8	5.5	21	34.5	11	12	12.5	10
5012600005	6	1/4	7	21	36	11	15	12.5	10
5012600006	8	1/8	5	23	39	12	12	14.5	10
5012600007	8	1/4	7	22.5	39.5	12	15	14.5	10
5012600008	8	3/8	8	22.5	41.5	12	18	14.5	10
5012600009	10	1/4	7	26.5	45	14	16	17.5	10
5012600010	10	3/8	8	26.5	44.5	14	18	17.5	10

50130

RACCORDO A L INTERMEDIO - ELBOW CONNECTOR


Codice Code	Tubo Tube	L	CH	D	Conf. Pack.
5013000007	3	17	9	10	10
5013000001	4	17	9	10	10
5013000006	5	20	11	12.5	10
5013000002	6	21	11	12.5	10
5013000003	8	22.5	13	14	10
5013000004	10	26.5	16	17	10
5013000005	12	30.5	19	21.5	10
5013000008	14	32.5	19	21.5	10

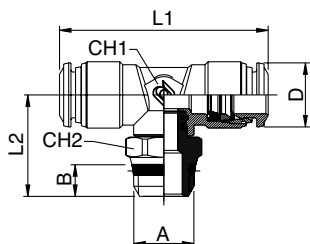
50200

RACCORDO A T MASCHIO CONICO - TEE MALE ADAPTOR (TAPER) - CENTRE LEG


Codice Code	Tubo Tube	A	B	L1	L2	CH	D	Conf. Pack.
5020000001	4 - M5	5	34	15	9	10	10	10
5020000002	4 - 1/8	7.5	34	15.5	9	10	10	10
5020000010	5 - 1/8	7.5	40	17.5	11	12.5	10	10
5020000003	6 - 1/8	7.5	42	17.5	11	12.5	10	10
5020000004	8 - 1/8	7.5	45	19	13	14	10	10
5020000005	8 - 1/4	11	45	21.5	13	14	10	10
5020000006	10 - 1/4	11	53	24.5	16	17	10	10
5020000007	10 - 3/8	11.5	53	24	16	17	10	10
5020000008	12 - 1/4	11	61	28	19	21.5	10	10
5020000009	12 - 3/8	11.5	61	28	19	21.5	10	10

50211

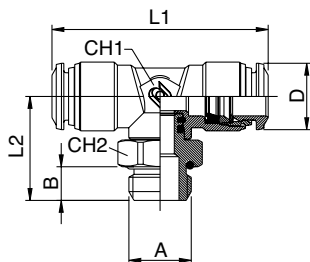
RACCORDO A T ORIENTABILE MASCHIO SHORT - ORIENTING TEE MALE ADAPTOR (SHORT) - CENTRE LEG



Codice Code	Tubo Tube	A	B	L1	L2	CH1	CH2	D	Conf. Pack.
5021100001	4	1/8	5.5	34	20	9	13	10	10
5021100002	4	1/4	7	34	21.5	9	15	10	10
5021100003	5	1/8	5.5	40	22	11	13	12.5	10
5021100004	6	1/8	5.5	42	22	11	13	12.5	10
5021100005	6	1/4	7	42	23.5	11	15	12.5	10
5021100006	8	1/8	5.5	45	25.5	13	13	14.5	10
5021100007	8	1/4	7	45	25.5	13	15	14.5	10
5021100008	8	3/8	7.5	45	26	13	17	14.5	10
5021100009	8	1/2	9	45	28.5	13	21	14.5	10
5021100010	10	1/4	7	53	29	14	16	17.5	10
5021100011	10	3/8	7.5	53	27	14	17	17.5	10
5021100012	10	1/2	9	53	29.5	14	21	17.5	10
5021100013	12	3/8	7.5	62.6	29.5	16	20	21.5	10
5021100014	12	1/2	9	62.6	32	16	21	21.5	10
5021100015	14	3/8	7.5	62.6	29.5	16	20	21.5	10
5021100016	14	1/2	9	62.6	32	16	21	21.5	10

50216

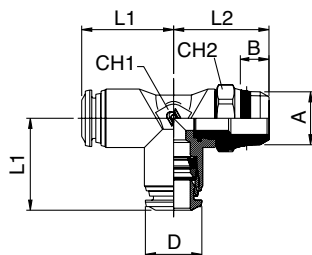
RACCORDO A T ORIENTABILE MASCHIO CILINDRICO - ORIENTING TEE MALE ADAPTOR (PARALLEL) - CENTRE LEG



Codice Code	Tubo Tube	A	B	L1	L2	CH1	CH2	D	Conf. Pack.
5021600001	3	M5	3.5	33	17	9	8	10	10
5021600002	4	M5	3.5	34	18	9	8	10	10
5021600003	4	1/8	5.5	34	18.5	9	13	10	10
5021600004	4	1/4	7	34	20	9	16	10	10
5021600005	5	M5	3.5	40	20.5	11	11	12.5	10
5021600006	5	1/8	5.5	40	20.5	11	13	12.5	10
5021600007	6	M5	3.5	42	20.5	11	11	12.5	10
5021600008	6	1/8	5.5	42	20.5	11	13	12.5	10
5021600009	6	1/4	7	42	22	11	16	12.5	10
5021600010	8	1/8	5.5	45	23.5	13	13	14.5	10
5021600011	8	1/4	7	45	24	13	16	14.5	10
5021600012	8	3/8	8	45	26	13	20	14.5	10
5021600013	8	1/2	9.5	45	27.5	13	25	14.5	10
5021600014	10	1/4	7	53	27.5	14	16	17.5	10
5021600015	10	3/8	8	53	27	14	20	17.5	10
5021600016	10	1/2	9.5	53	28.5	14	25	17.5	10
5021600017	12	3/8	8	62.5	29.5	16	20	21.5	10
5021600018	12	1/2	9.5	62.5	31	16	25	21.5	10
5021600019	14	3/8	8	62.5	29.5	16	20	21.5	10
5021600020	14	1/2	9.5	62.5	31	16	25	21.5	10
5021600021	6	M12x1	7.5	42	22	11	16	12.5	10
5021600022	6	M12x1.25	7.5	42	22	11	16	12.5	10
5021600023	6	M12x1.5	7.5	42	22	11	16	12.5	10

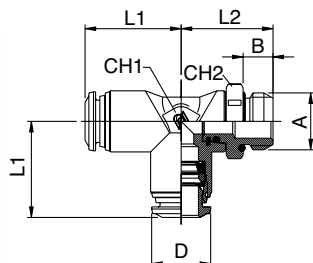
50223

RACCORDO A T ORIENTABILE MASCHIO LATERALE SHORT - ORIENTING TEE MALE ADAPTOR (SHORT) OFF - SET LEG



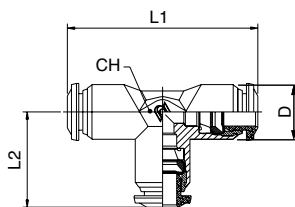
Codice Code	Tubo Tube	A	B	L1	L2	CH1	CH2	D	Conf. Pack.
5022300001	4	1/8	5.5	17	20	9	13	10	10
5022300002	4	1/4	7	17	21.5	9	15	10	10
5022300003	5	1/8	5.5	20	22	11	13	12.5	10
5022300004	6	1/8	5.5	21	22	11	13	12.5	10
5022300005	6	1/4	7	21	23.5	11	15	12.5	10
5022300006	8	1/8	5.5	22.5	25	13	13	14.5	10
5022300007	8	1/4	7	22.5	25	13	15	14.5	10
5022300008	8	3/8	7.5	22.5	28	13	17	14.5	10
5022300009	8	1/2	9	22.5	28	13	21	14.5	10
5022300010	10	1/4	7	26.5	26	14	16	17.5	10
5022300011	10	3/8	7.5	26.5	26	14	17	17.5	10
5022300012	10	1/2	9	26.5	28.5	14	21	17.5	10
5022300013	12	3/8	7.5	31.5	29.5	16	20	21.5	10
5022300014	12	1/2	9	31.5	32	16	21	21.5	10

50226

RACCORDO A T ORIENTABILE MASCHIO LATERALE CILINDRICO - ORIENTING TEE MALE ADAPTOR (PARALLEL) OFF - SET LEG


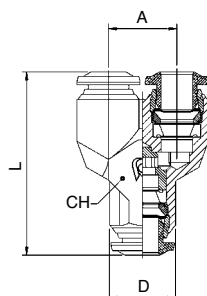
Codice Code	Tubo Tube	A	B	L1	L2	CH1	CH2	D	Conf. Pack.
5022600001	3	M5	3.5	16.5	17	9	8	10	10
5022600002	4	M5	3.5	17	18	9	8	10	10
5022600003	4	1/8	5.5	17	18.5	9	13	10	10
5022600004	4	1/4	7	17	20	9	16	10	10
5022600005	5	M5	3.5	20	20.5	11	11	12.5	10
5022600006	5	1/8	5.5	20	20.5	11	13	12.5	10
5022600007	6	M5	3.5	21	20.5	11	11	12.5	10
5022600008	6	1/8	5.5	21	20.5	11	13	12.5	10
5022600009	6	1/4	7	21	22	11	16	12.5	10
5022600010	8	1/8	5.5	22.5	22.5	13	13	14.5	10
5022600011	8	1/4	7	22.5	24	13	16	14.5	10
5022600012	8	3/8	8	22.5	26	13	20	14.5	10
5022600013	8	1/2	9.5	22.5	27.5	13	25	14.5	10
5022600014	10	1/4	7	26.5	27	14	16	17.5	10
5022600015	10	3/8	8	26.5	26.5	14	20	17.5	10
5022600016	10	1/2	9.5	26.5	28	14	25	17.5	10
5022600017	12	3/8	8	31.5	29.5	16	20	21.5	10
5022600018	12	1/2	9.5	31.5	31	16	25	21.5	10
5022600021	6	M12x1	7.5	21	22	11	16	12.5	10
5022600022	6	M12x1.25	7.5	21	22	11	16	12.5	10
5022600023	6	M12x1.5	7.5	21	22	11	16	12.5	10

50230

RACCORDO A T INTERMEDIO - TEE CONNECTOR


Codice Code	Tubo Tube	L1	L2	CH	D	Conf. Pack.
5023000007	3	34	17	9	10	10
5023000001	4	34	17	9	10	10
5023000006	5	40	20	11	12.5	10
5023000002	6	42	21	11	12.5	10
5023000003	8	45	22.5	13	14	10
5023000004	10	53	26.5	16	17	10
5023000005	12	61	30.5	19	21.5	10
5023000008	14	65.5	32.5	19	21.5	10

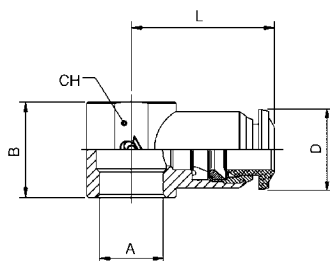
50310

RACCORDO A Y INTERMEDIO - Y CONNECTOR


Codice Code	Tubo Tube	A	L	CH	D	Conf. Pack.
5031000007	3	10	29	11	10	10
5031000001	4	11	32	11	10	10
5031000004	5	13.5	35	13	12.5	10
5031000002	6	13.5	36.5	13	12.5	10
5031000003	8	15.5	41	15	14	10
5031000008	10	18.5	48	18	17	10

50500

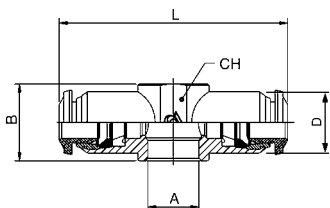
ANELLO ORIENTABILE A L - SINGLE BANJO BODY



Codice Code	Tubo Tube	A	B	L	CH	D	Conf. Pack.
505000019	3	M5	12.5	19	-	10	10
505000020	3	M6	12.5	19	-	10	10
505000001	4	M5	12.5	19	-	10	10
505000002	4	M6	12.5	19	-	10	10
505000003	4	1/8	15	21	14	10	10
505000013	5	M5	12.5	20	-	12.5	10
505000017	5	M6	12.5	20	-	12.5	10
505000014	5	1/8	15	21.5	14	12.5	10
505000015	5	1/4	17	24.5	18	12.5	10
505000016	6	M5	12.5	20.5	-	12.5	10
505000018	6	M6	12.5	20.5	-	12.5	10
505000004	6	1/8	15	22	14	12.5	10
505000005	6	1/4	17	25	18	12.5	10
505000006	8	1/8	15	24	14	14	10
505000007	8	1/4	17	26	18	14	10
505000008	8	3/8	20	28	21	14	10
505000009	10	1/4	17	29	18	17	10
505000010	10	3/8	20	30.5	21	17	10
505000012	12	3/8	20	32.5	21	21.5	10
505000021	12	1/2	24	35	25	21.5	10
505000022	14	1/2	24	35.5	25	21.5	10

50510

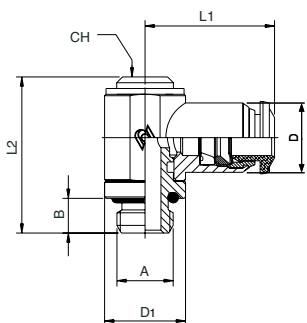
ANELLO ORIENTABILE A T - DOUBLE BANJO BODY



Codice Code	Tubo Tube	A	B	L	CH	D	Conf. Pack.
505100001	4	M5	12.5	38	-	10	10
505100002	4	M6	12.5	38	-	10	10
505100003	4	1/8	15	42	14	10	10
505100008	5	1/8	15	43	14	12.5	10
505100009	5	1/4	17	49	18	12.5	10
505100004	6	1/8	15	44	14	12.5	10
505100005	6	1/4	17	50	18	12.5	10
505100006	8	1/8	15	48	14	14	10
505100007	8	1/4	17	52	18	14	10

50550

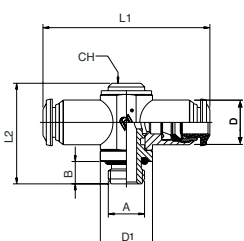
RACCORDO ORIENTABILE A L - ORIENTING SINGLE BANJO BODY MALE



Codice Code	Tubo Tube	A	B	L1	L2	CH	D1	D	Conf. Pack.
505500001	4	M5	3.6	19	24.5	-	CH8	10	10
505500002	4	1/8	6	21	28	5	14	10	10
505500012	5	M5	3.6	20	24.5	-	CH8	12.5	10
505500013	5	1/8	6	21.5	28	5	14	12.5	10
505500014	5	1/4	8	24.5	31	6	18	12.5	10
505500015	6	M5	3.6	20.5	24.5	-	CH8	12.5	10
505500003	6	1/8	6	22.5	28	5	14	12.5	10
505500004	6	1/4	8	25	31	6	18	12.5	10
505500005	8	1/8	6	24	28	5	14	14	10
505500006	8	1/4	8	26	31	6	18	14	10
505500007	8	3/8	9	28	35.5	7	21	14	10
505500008	10	1/4	8	29	31	6	18	17	10
505500009	10	3/8	9	30.5	35.5	7	21	17	10
505500011	12	3/8	9	32.5	35.5	7	21	21.5	10

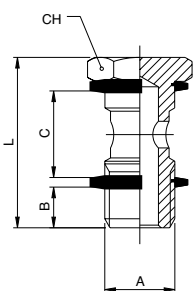
50560

RACCORDO ORIENTABILE A T - ORIENTING DOUBLE BANJO BODY MALE



Codice Code	Tubo Tube	A	B	L1	L2	D1	CH	D	Conf. Pack.
505600002	4	1/8	6	42	27	14	5	10	10
505600008	5	1/8	6	43	27	14	5	12.5	10
505600009	5	1/4	8	49	31	18	6	12.5	10
505600003	6	1/8	6	45	27	14	5	12.5	10
505600004	6	1/4	8	50	31	18	6	12.5	10
505600005	8	1/8	6	48	27	14	5	14	10
505600006	8	1/4	8	52	31	18	6	14	10

51410

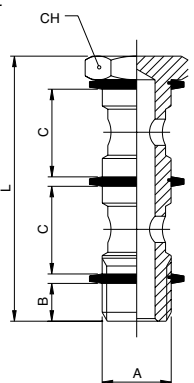
VITE CAVA SINGOLA - BANJO STEM SINGLE


Codice Code	A	B	C	L	CH	Conf. Pack.
5141000011	M5	4	12.5	22	8	25
5141000012	M6	5	12.5	23	8	25
5141000013	1/8	6	15	28	14	25
5141000014	1/4	8	17	32	17	25
5141000015	3/8	9	20	36	19	25
5141000016	1/2	10	24	42	24	25
5141000017	*M12x1.5	8	17	32	17	25

QUESTO ARTICOLO VIENE FORNITO COMPLETO DI RONDELLE IN PA66 (ART. 1610).
THIS ITEM WILL BE SUPPLIED WITH THE PA66 WASHERS (ART. 1610).

*CON QUESTA VITE UTILIZZARE GLI ANELLI ORIENTABILI DA 1/4.
*WITH THIS BANJO STEM USING 1/4 ORIENTING BANJO BODY.

51420

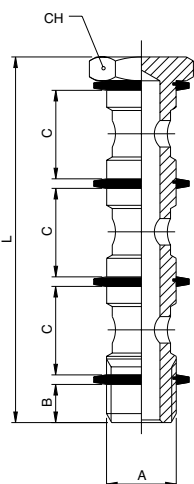
VITE CAVA DOPPIA - BANJO STEM DOUBLE


Codice Code	A	B	C	L	CH	Conf. Pack.
5142000011	1/8	6	15	44.5	14	25
5142000012	1/4	8	17	50.5	17	25
5142000013	3/8	9	20	58	19	25
5142000014	1/2	10	24	68	24	25
5142000015	*M12x1.5	8	17	50.5	17	25

QUESTO ARTICOLO VIENE FORNITO COMPLETO DI RONDELLE IN PA66 (ART. 1610).
THIS ITEM WILL BE SUPPLIED WITH THE PA66 WASHERS (ART. 1610).

*CON QUESTA VITE UTILIZZARE GLI ANELLI ORIENTABILI DA 1/4.
*WITH THIS BANJO STEM USING 1/4 ORIENTING BANJO BODY.

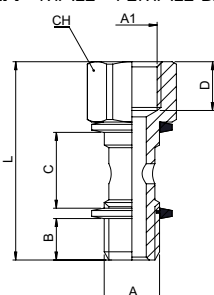
51430

VITE CAVA TRIPLA - BANJO STEM TRIPLE


Codice Code	A	B	C	L	CH	Conf. Pack.
5143000011	1/8	6	15	61	14	25
5143000012	1/4	8	17	69	17	25
5143000013	3/8	9	20	80	19	25
5143000014	1/2	10	24	94	24	10

QUESTO ARTICOLO VIENE FORNITO COMPLETO DI RONDELLE IN PA66 (ART. 1610).
THIS ITEM WILL BE SUPPLIED WITH THE PA66 WASHERS (ART. 1610).

51440

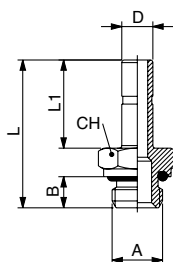
VITE CAVA SINGOLA MASCHIO - FEMMINA - MALE - FEMALE BANJO STEM SINGLE


Codice Code	A	A1	B	C	D	L	CH	Conf. Pack.
5144000001	1/8	1/8	6	15	8.5	34.5	14	25
5144000002	1/4	1/4	8	17	11	40.5	17	25
5144000003	3/8	3/8	9	20	12	45.5	19	25

QUESTO ARTICOLO VIENE FORNITO COMPLETO DI RONDELLE IN PA66 (ART. 1610).
THIS ITEM WILL BE SUPPLIED WITH THE PA66 WASHERS (ART. 1610).

50600

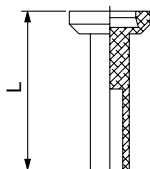
ADATTATORE MASCHIO CILINDRICO - MALE ADAPTOR PARALLEL



Codice Code	D	A	B	L	L1	CH	Conf. Pack.
506000001	4	M5	4	24	15	8	10
506000002	4	1/8	6	26.5	15	13	10
506000012	5	M5	4	26	17	8	10
506000013	5	1/8	6	28.5	17	13	10
506000014	5	1/4	8	31	17	16	10
506000015	6	M5	4	26	17	8	10
506000003	6	1/8	6	28.5	17	13	10
506000004	6	1/4	8	31	17	16	10
506000005	8	1/8	6	29.5	18	13	10
506000006	8	1/4	8	32	18	16	10
506000007	8	3/8	9	33.5	18	20	10
506000016	10	1/8	6	33.5	22	13	10
506000008	10	1/4	8	36	22	16	10
506000009	10	3/8	9	37.5	22	20	10
506000010	12	1/4	8	38.5	24.5	16	10
506000011	12	3/8	9	40	24.5	20	10

8610

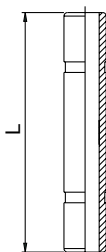
TAPPO IN POLIAMIDE - POLYAMIDE PLUG



Codice Code	Tubo Tube	L	Conf. Pack.
086100031X0RO	3	18	25
086100031X1RO	4	23.5	25
086100031X3RO	5	24.5	25
086100031X4RO	6	24.5	25
086100031X7RO	8	26	25
086100031X9RO	10	28.5	25
086100031Y1RO	12	28.5	25
086100031Y3RO	14	28.5	20

50625

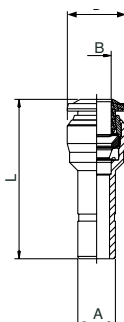
GIUNZIONE DOPPIA - DOUBLE JOINT



Codice Code	Tubo Tube	L	Conf. Pack.
506250001X1NB	4	31	10
506250001X3NB	5	33	10
506250001X4NB	6	34	10
506250001X7NB	8	36	10
506250001X9NB	10	45	10
506250001Y1NB	12	50	10

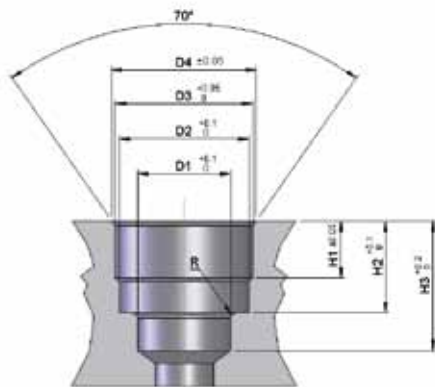
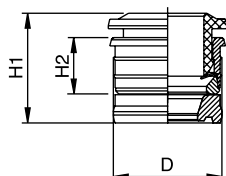
50700

RIDUZIONE - REDUCER



Codice Code	A	B	L	D	Conf. Pack.
507000006	4	3	30	8.5	10
507000004	5	4	32	11.5	10
507000001	6	4	30	10.5	10
507000005	6	5	34.5	11.5	10
507000008	8	4	32.5	10.5	10
507000002	8	6	34.5	12.5	10
507000009	10	4	31.5	10.5	10
507000003	10	8	38.5	14.5	10
507000007	12	8	39.5	14.5	10
507000010	12	10	43	17.5	10

55800R

CARTUCCE A COMPRESSIONE - PUSH-FIT CARTRIDGES


Codice Code	Tubo Tube	D	H1	H2	Conf. Pack.
558000008	3	6.7	9	5	25
558000001	4	8.7	10.4	5.6	25
558000002	5	9.75	11.8	6.3	25
558000003	6	10.75	12.4	6.9	25
558000004	8	12.7	12.4	6.9	25
558000005	10	15.7	15.7	8.5	25
558000006	12	18.3	17.8	9.5	25

55800

SEDE - SEAT
**DIMENSIONI SEDI CARTUCCE A COMPRESSIONE
SEATS DIMENSIONS PUSH-FIT CARTRIDGES**

Tubo Tube	D1	D2	D3	D4	H1	H2	H3	R
3	3.4	6.05	6.4	6.95	3.7	6.1	8.6	0.5
4	4.2	7.45	8.4	9	3.75	6.5	9.5	0.5
5	5.2	8.35	9.4	10.15	4.45	7.9	10.5	0.5
6	6.2	9.35	10.45	11.35	5	8.5	11.5	0.5
8	8.2	11.4	12.4	12.9	5.2	8.5	12.5	0.75
10	10.2	14.5	15.4	16	6.7	10.5	15	0.75
12	12.2	17	18	19	7.5	12.1	17	1

55801

**FRESA SEDE CARTUCCE A COMPRESSIONE
TOOL FOR PUSH-FIT CARTRIDGES SEAT**


Codice Code	Tubo Tube	Ø Gambo Ø Body	Conf. Pack.
558010007	3	10	1
558010001	4	10	1
558010006	5	12	1
558010002	6	12	1
558010003	8	12	1
558010004	10	16	1
558010005	12	16	1

55802

**CANOTTO MONTAGGIO CARTUCCE A COMPRESSIONE
ASSEMBLING TOOL FOR PUSH-FIT CARTRIDGES**

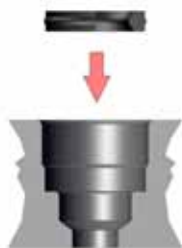

Codice Code	Tubo Tube	Conf. Pack.
558020001	3	1
558020002	4	1
558020003	5	1
558020004	6	1
558020005	8	1
558020006	10	1
558020007	12	1

ISTRUZIONI DI MONTAGGIO CARTUCCE A COMPRESSIONE ART. 55800R PUSH-FIT CARTRIDGES ASSEMBLING INSTRUCTIONS ART. 55800R

Realizzare la sede per la cartuccia utilizzando l'apposita fresa Art. 55801
Make the seat for the cartridge utilizing the suitable tool Art. 55801



2



Inserire la guarnizione a labbro nell'apposita sede.
Insert the lip seal inside of the seat.

Inserire la cartuccia nel canotto di montaggio Art. 55802
Insert the cartridge into the assembling tool Art. 55802



3

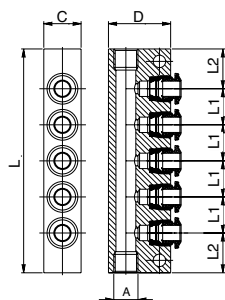


4

Premere la cartuccia all'interno della sede fino ad arrivare in battuta sul piano con il canotto.
Press the cartridge inside of the seat until it will be reached the abutment surface with the assembling tool.

50900

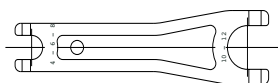
RIPARTITORE IN ALLUMINIO A 5 VIE - ALUMINIUM MANIFOLD 5 WAYS



Codice Code	Tubo Tube	A	C	D	L	L1	L2	Conf. Pack.
5090000001	4	1/8	15	25	75	12	13.5	5
5090000002	6	1/8	15	25	90	14.5	16	5
5090000003	6	1/4	20	30	90	14.5	16	5
5090000004	8	1/4	20	30	100	16	18	5

50990

LEVA SGANCIO ADATTATORI - TOOL FOR DISASSEMBLING



Codice Code	Conf. Pack.
5099000001	10

50006

ANELLO DI TENUTA PER FILETTI CONICI - THREAD PACKING FOR TAPER THREADS



Codice Code	Filetto Thread	Conf. Pack.
5000600240200	1/8	10
5000600240300	1/4	10
5000600240400	3/8	10
5000600240500	1/2	10

